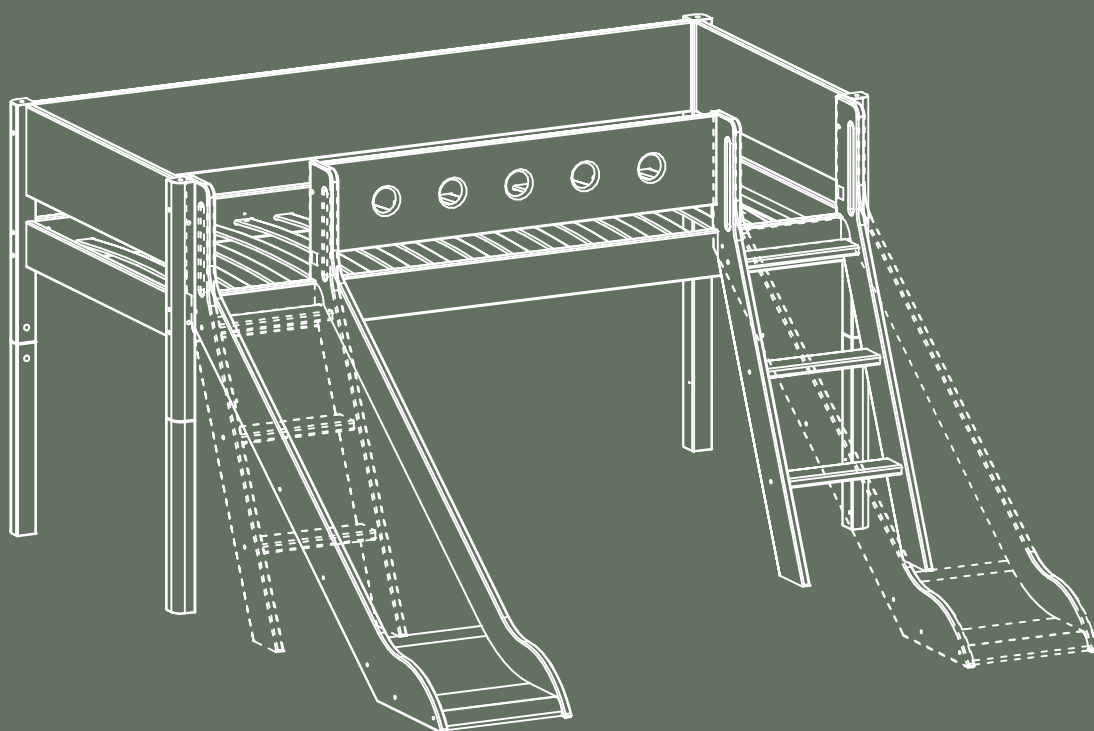


# White

80-17315



*For indoor domestic use.*

**FLEXA<sup>®</sup>**

*Made for Moments. Made for Life*



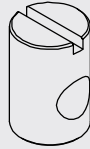
**A** x1  
5mm  
4033-005



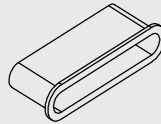
**B** x44  
Ø10x40mm  
3930-10040



**C** x8  
Ø10x50mm  
3930-10050



**D** x12  
Ø12x18mm  
3922-08018



**E** x30  
4091-029



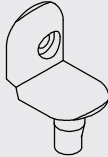
**F** x1  
4531-0024



**G** x12  
M8x110mm  
3913-08110



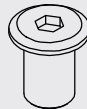
**H** x6  
Ø7x100mm  
3909-70100



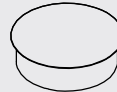
**I** x6  
4091-030



**J** x6  
Ø4,5x25mm  
3902-45025



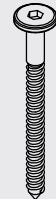
**K** x2  
M8x16mm  
3923-08016



**L** x8  
16mm  
3938-00016-x



**M** x4  
3934-10140



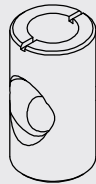
**N** x22  
Ø7x60mm  
3909-70060-x



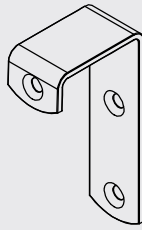
**O** x4  
10mm  
3938-00010



**P** x8  
3917-10012



**Q** x8  
3933-15028



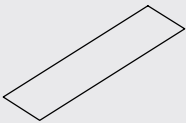
**R** x4  
4007-027



**S** x8  
Ø4x45mm  
3901-40045



**T** x4  
Ø3,5x12mm  
3901-35012



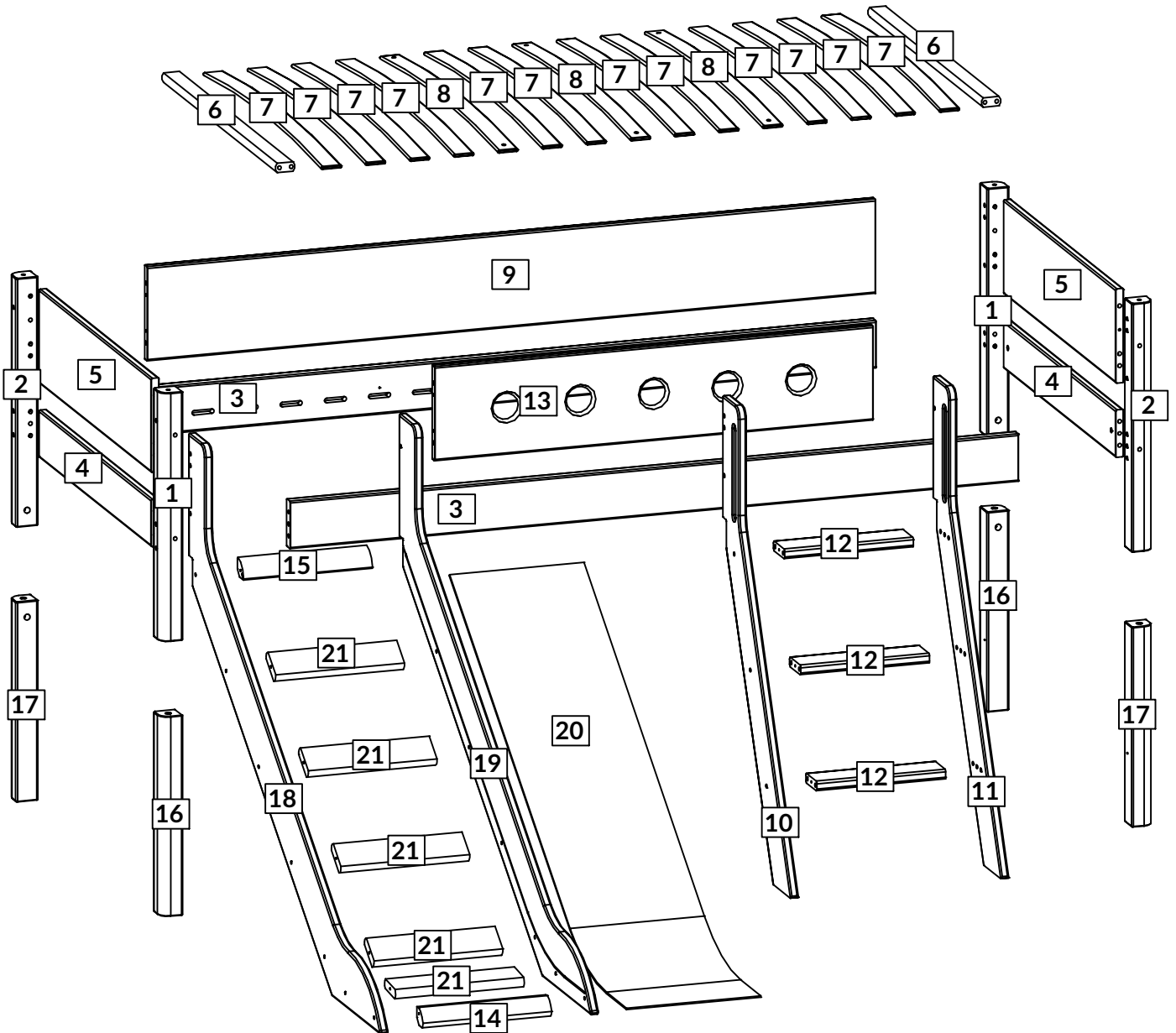
**V** x3  
35x200mm  
4050-033



**X** x2  
M8x75mm  
3913-08075

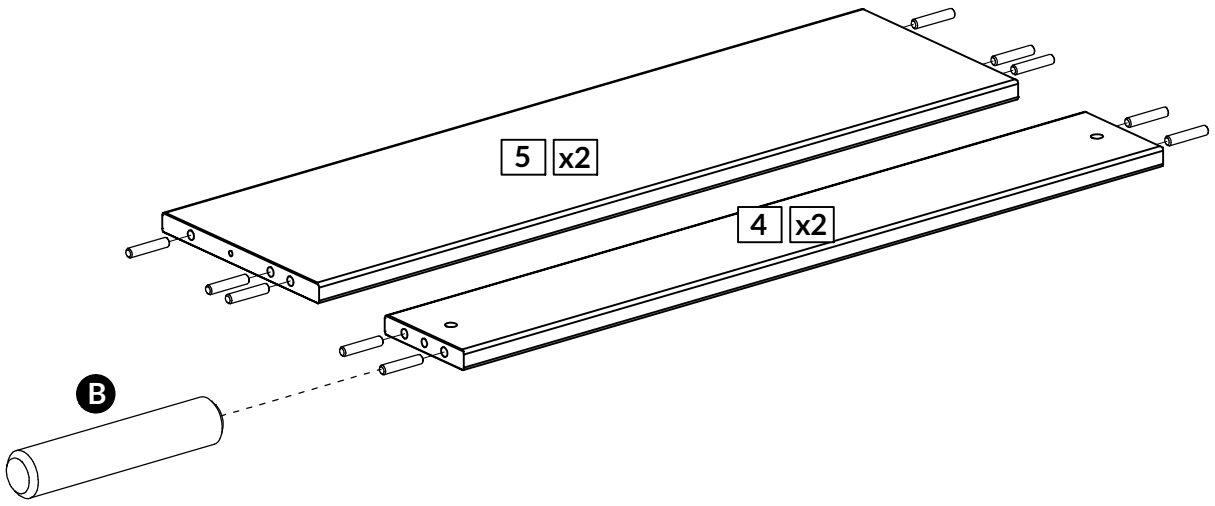
No.	Qty.	Item no.for spareparts	Colli
1	2	12-06006656-x	80-17112
2	2	12-06006655-x	80-17112
3	2	4301-3019801-x	80-17610
4	2	4301-2208931-x	80-17610
5	2	4301-2208933-x	80-17610
6	2	12-02509051	80-17610
7	12	12-00809422	80-17610
8	3	12-00809421	80-17610
9	1	4301-2219802-x	80-17604
10	1	4301-2212004-x	80-17336
11	1	4301-2212003-x	80-17336

No.	Qty.	Item no.for spareparts	Colli
12	3	12-02603505-x	80-17336
13	1	4301-2211921-x	80-17608
14	1	12-03803503-x	80-40011
15	1	12-03803502-x	80-40011
16	2	12-06005354-x	80-17334
17	2	12-06005353-x	80-17334
18	1	4301-2219392-x	80-40011
19	1	4301-2219391-x	80-40011
20	1	4331-031647	80-40011
21	5	12-02603502	80-40011



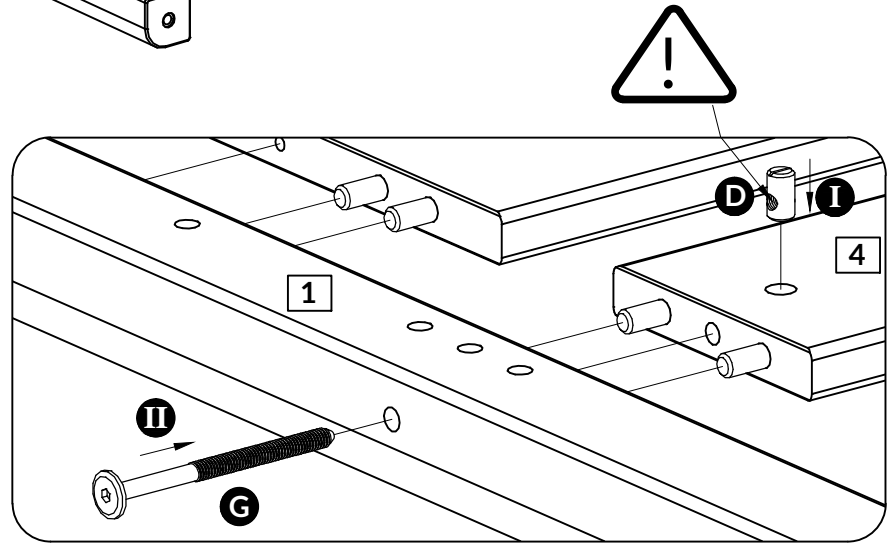
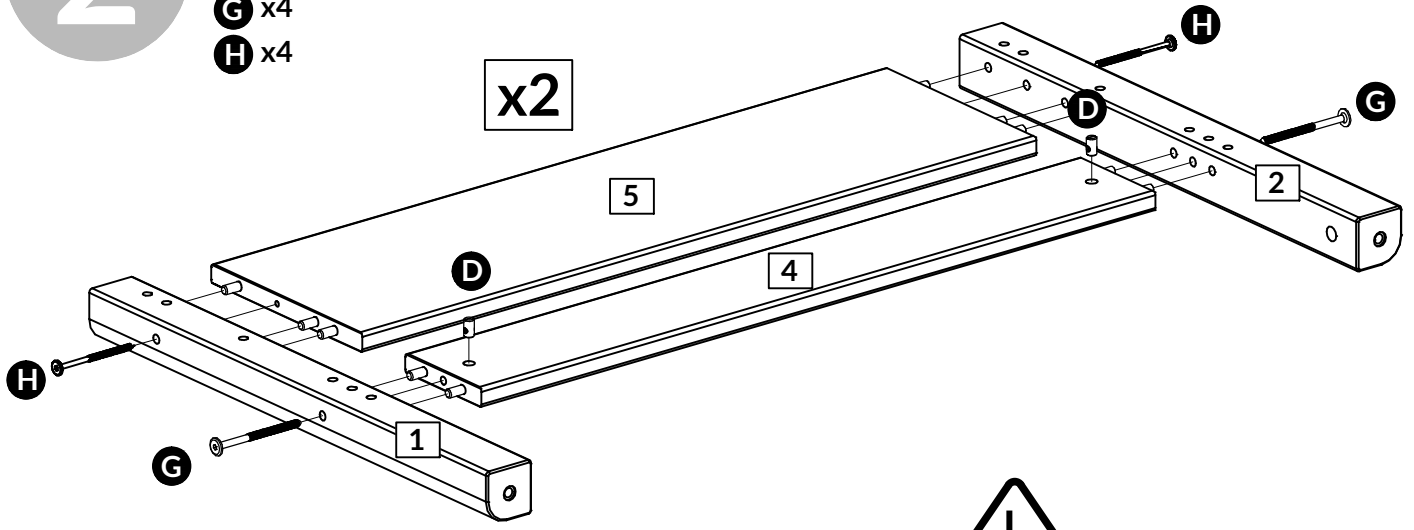
# 1

**B** x20



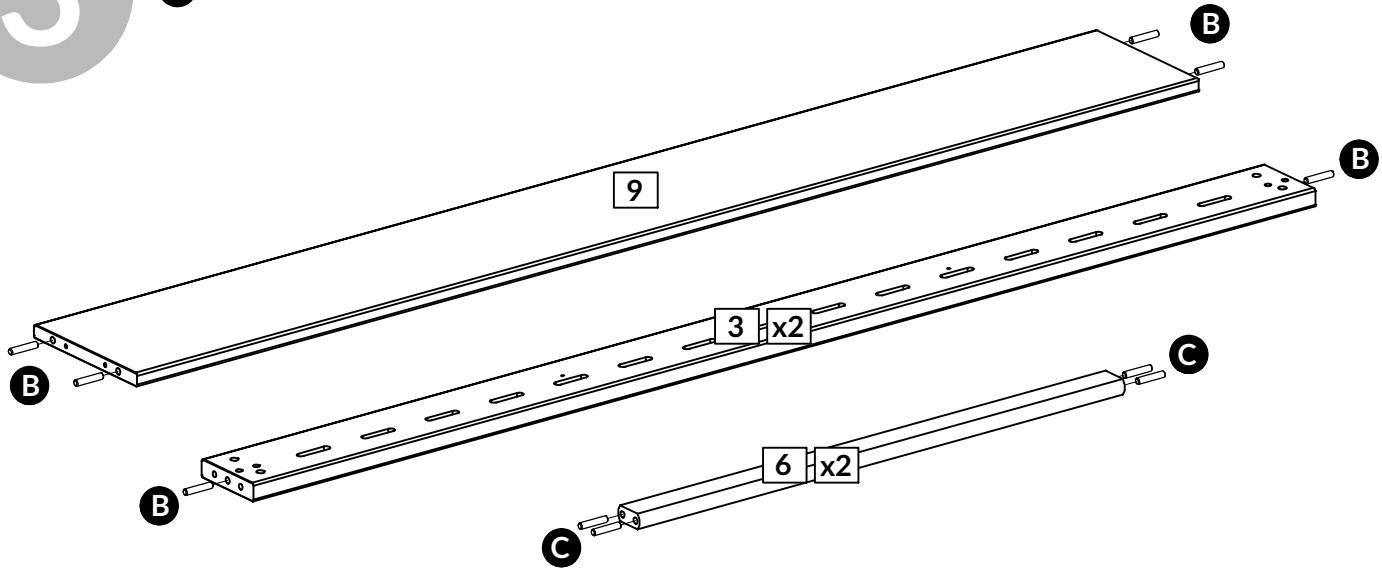
# 2

**A** x1  
**D** x4  
**G** x4  
**H** x4

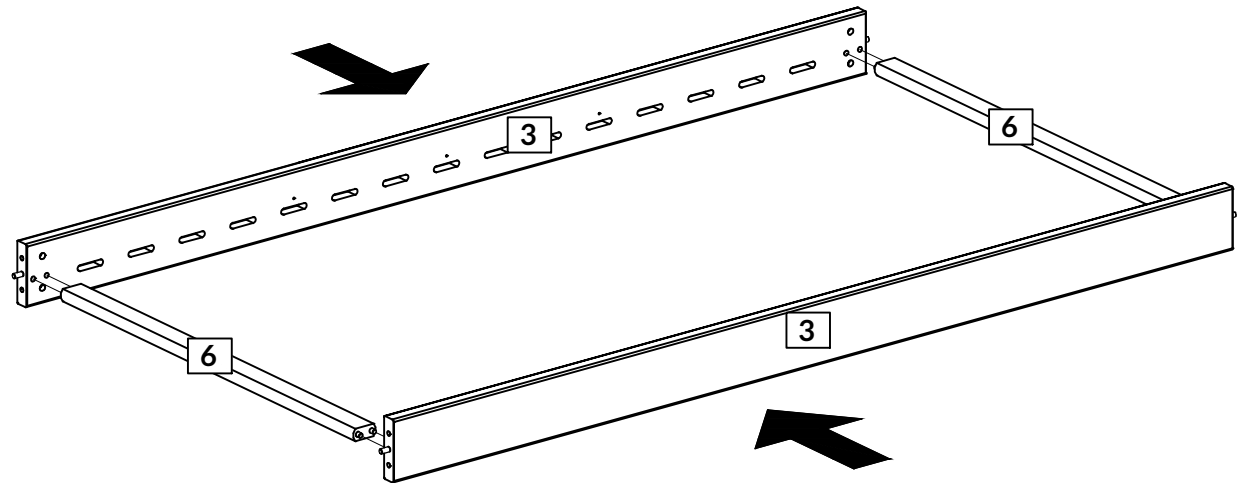


# 3

**B** x8  
**C** x8

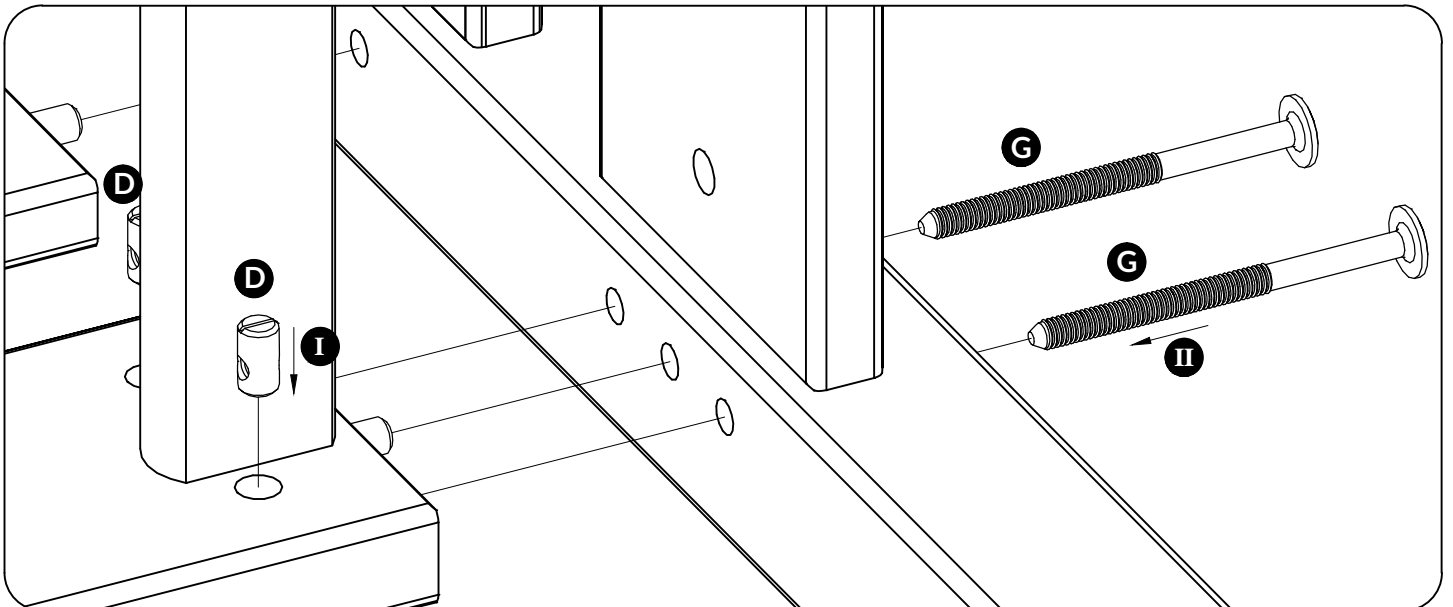
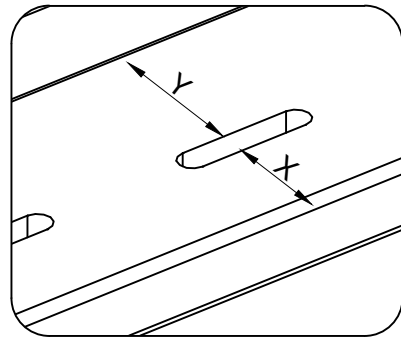
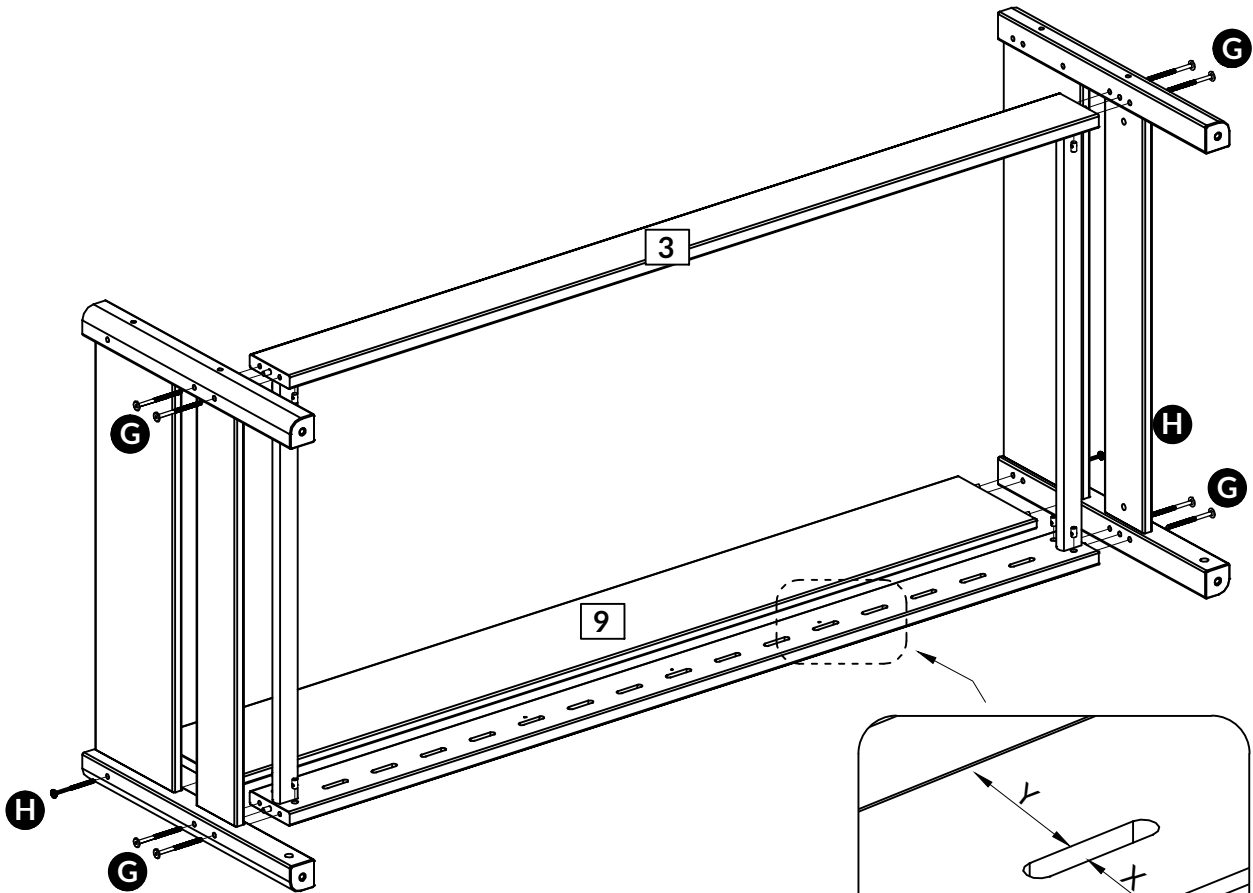


# 4



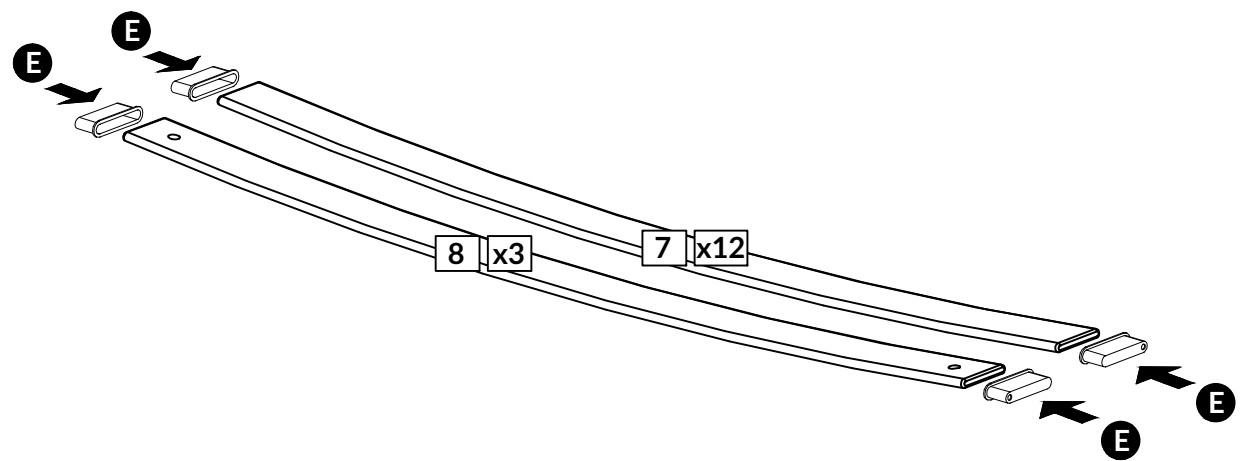
# 5

- A** x1
- D** x8
- G** x8
- H** x2

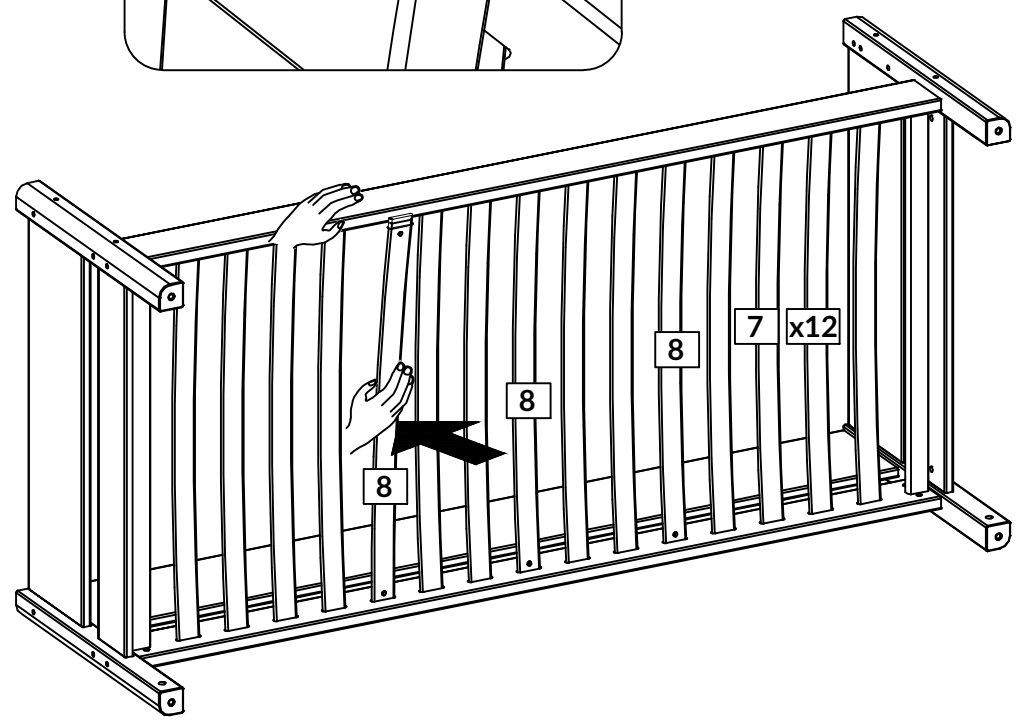
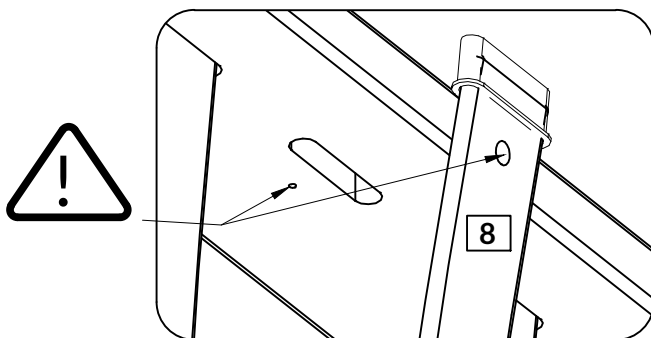


# 6

E x30

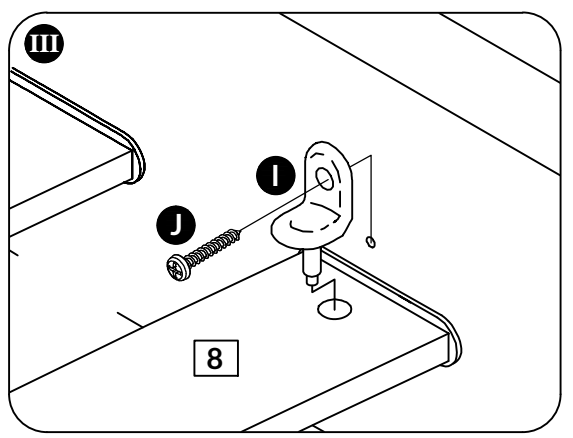
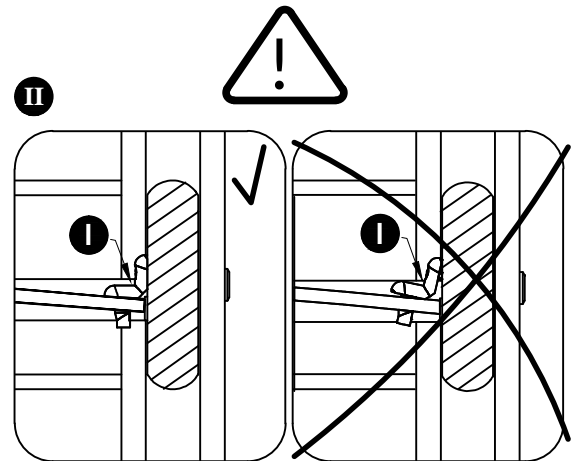
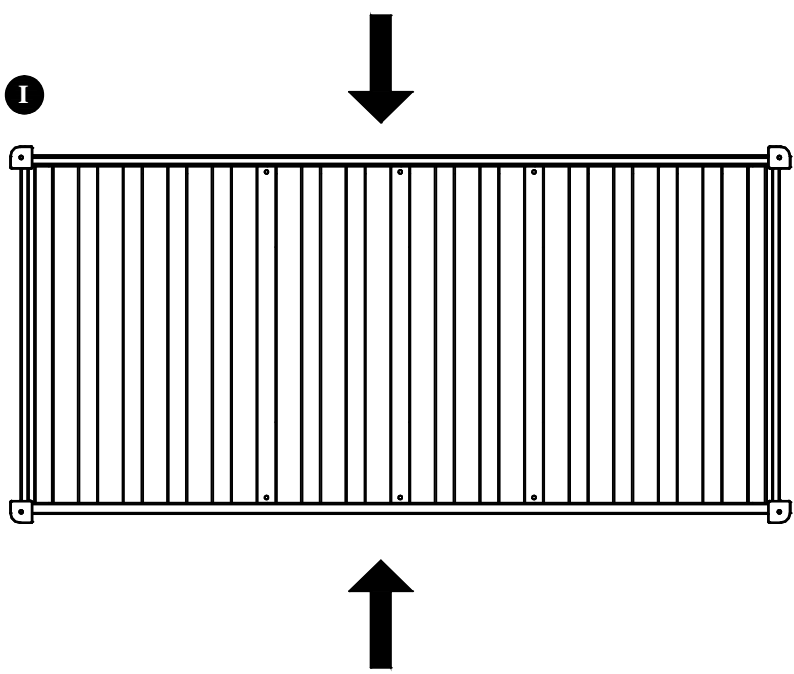
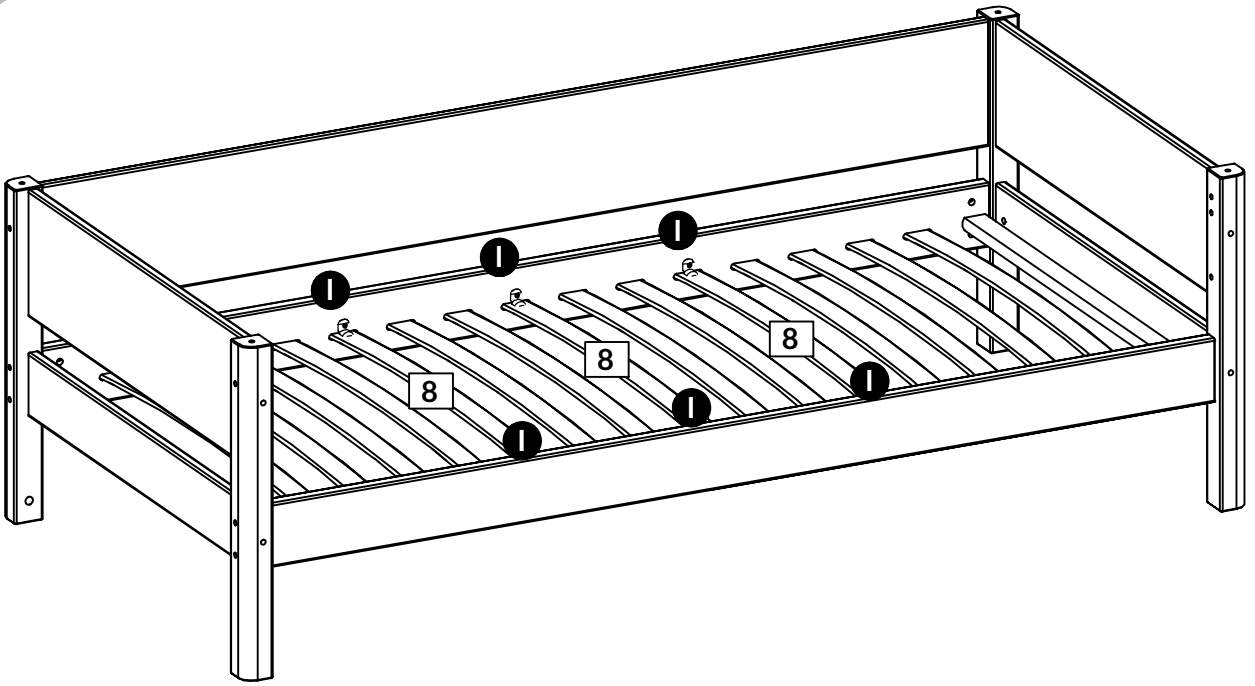


# 7



# 8

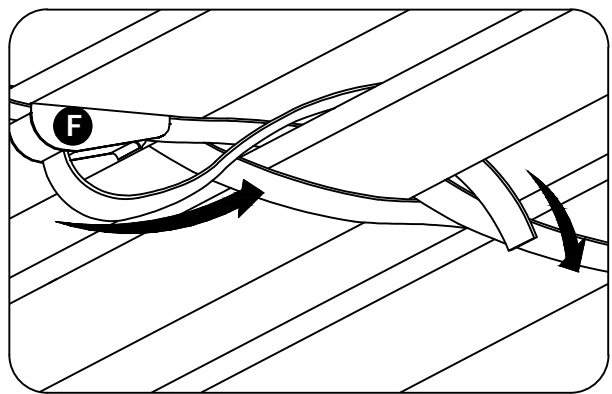
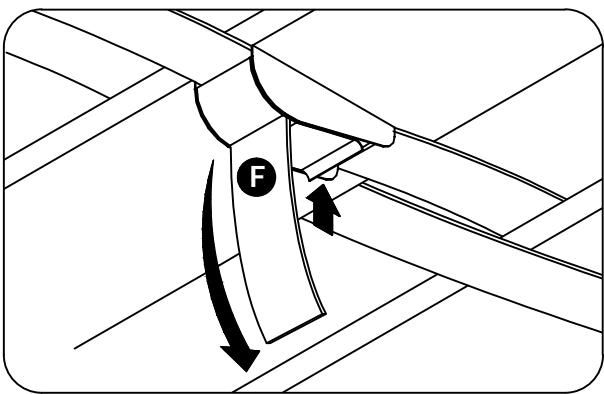
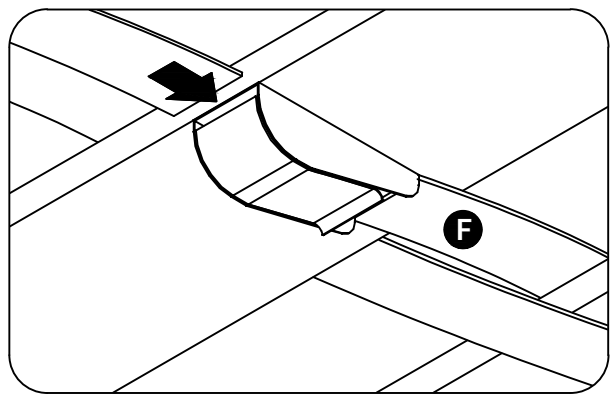
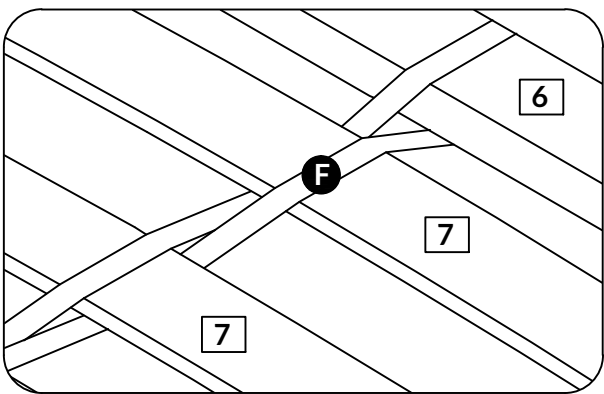
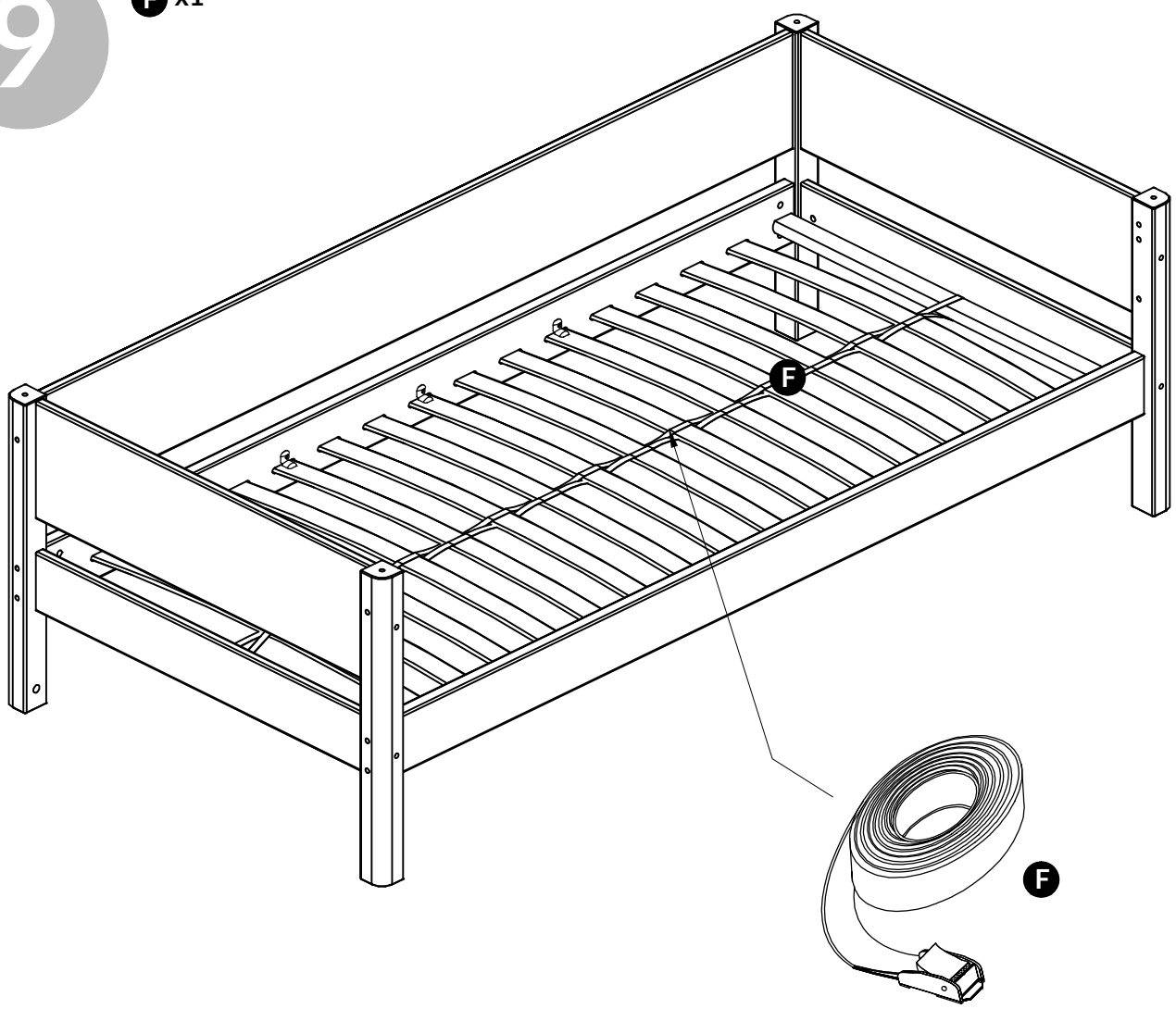
I x6  
J x6





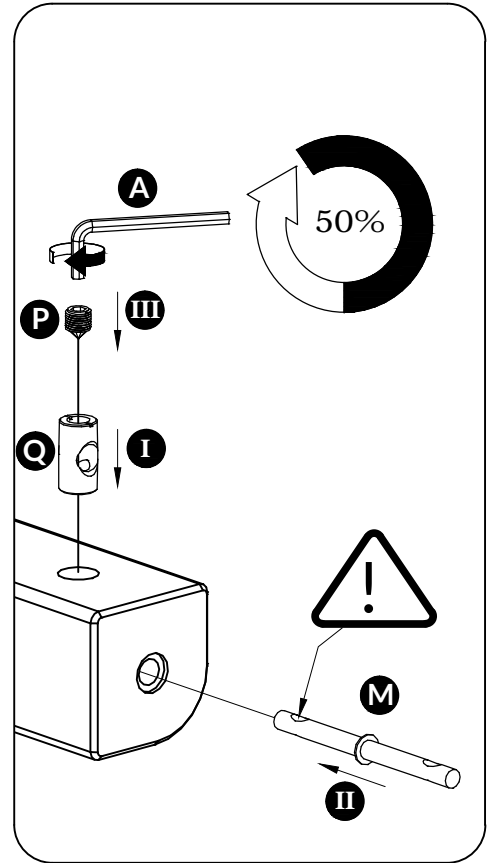
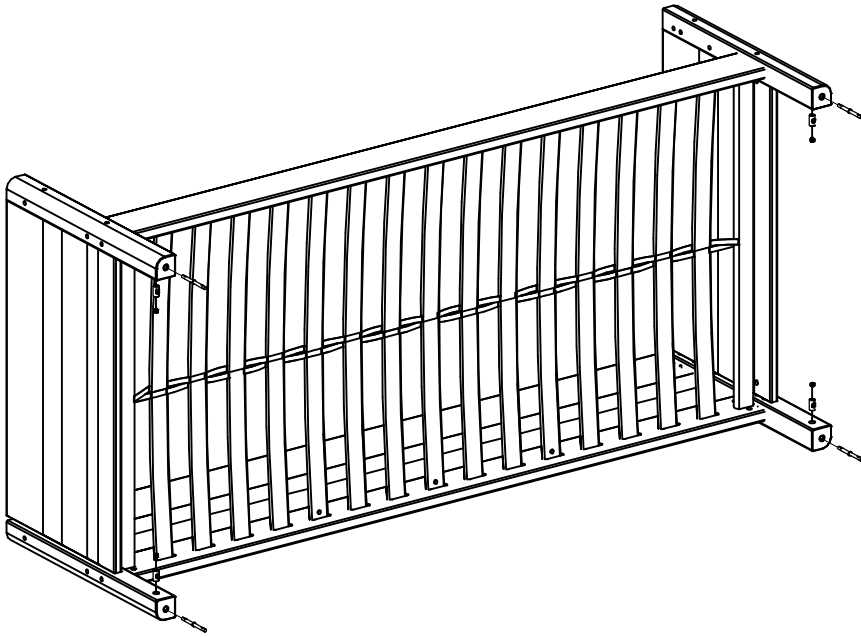
# 9

F x1



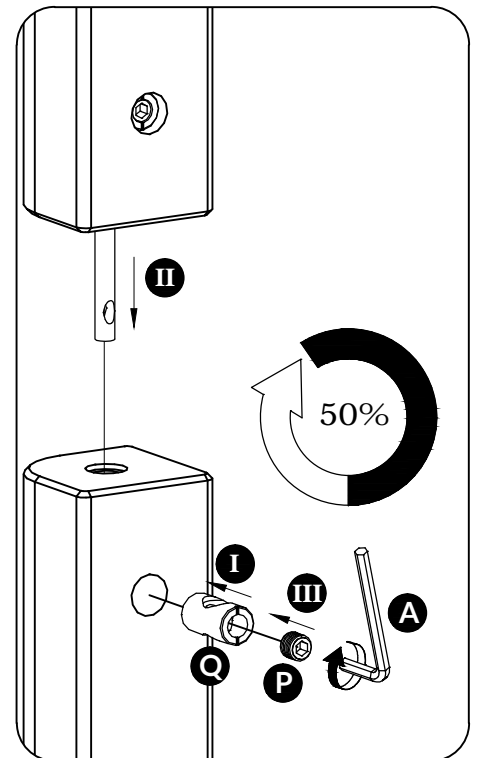
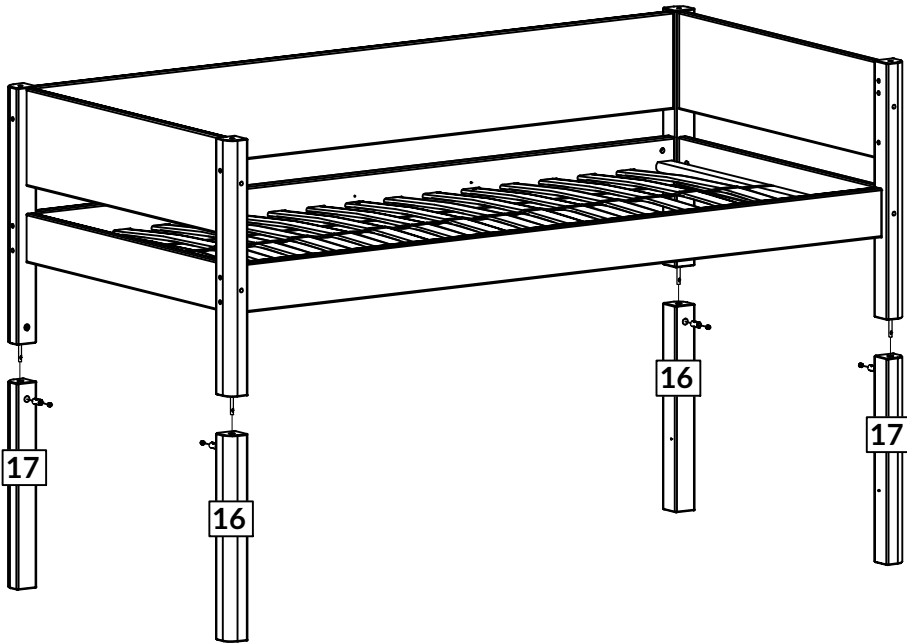
# 10

- A x1
- M x4
- P x4
- Q x4



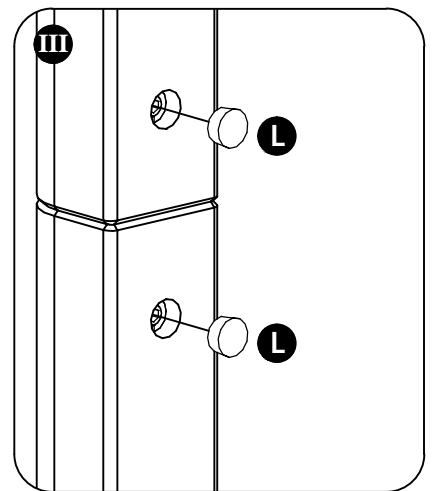
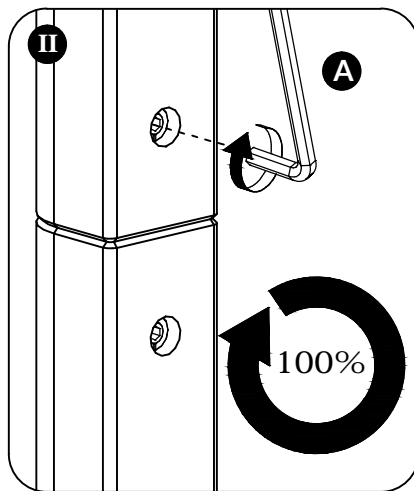
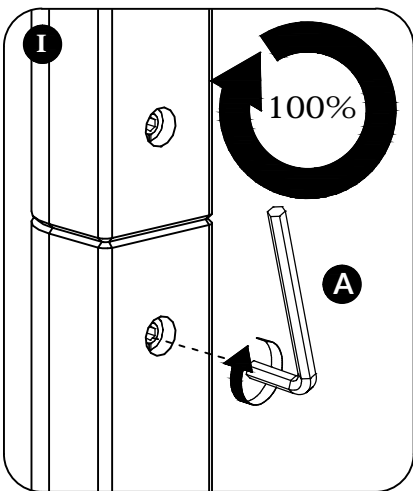
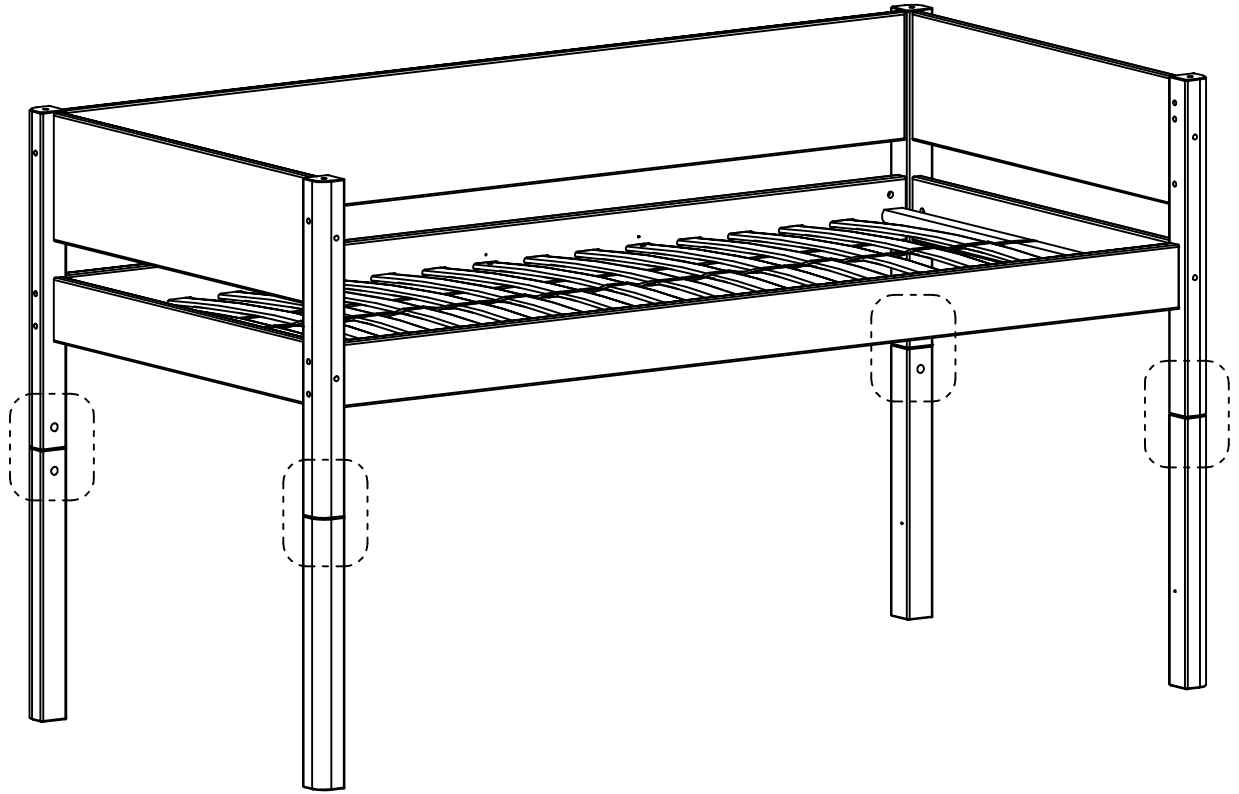
# 11

- A x1
- P x4
- Q x4



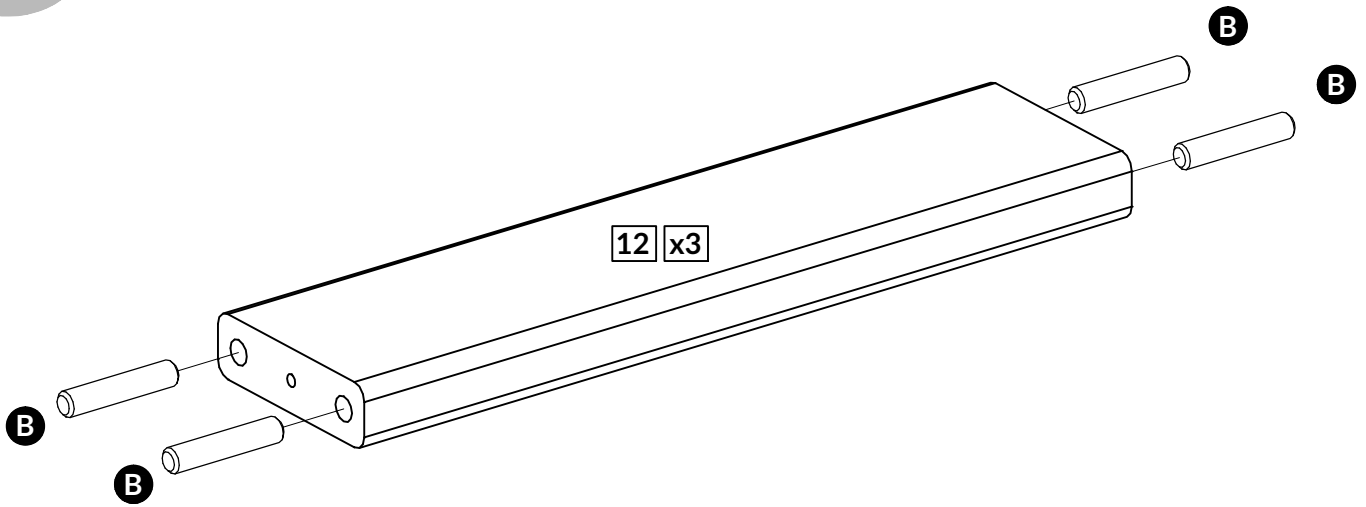
# 12

**A** x1  
**L** x8



# 13

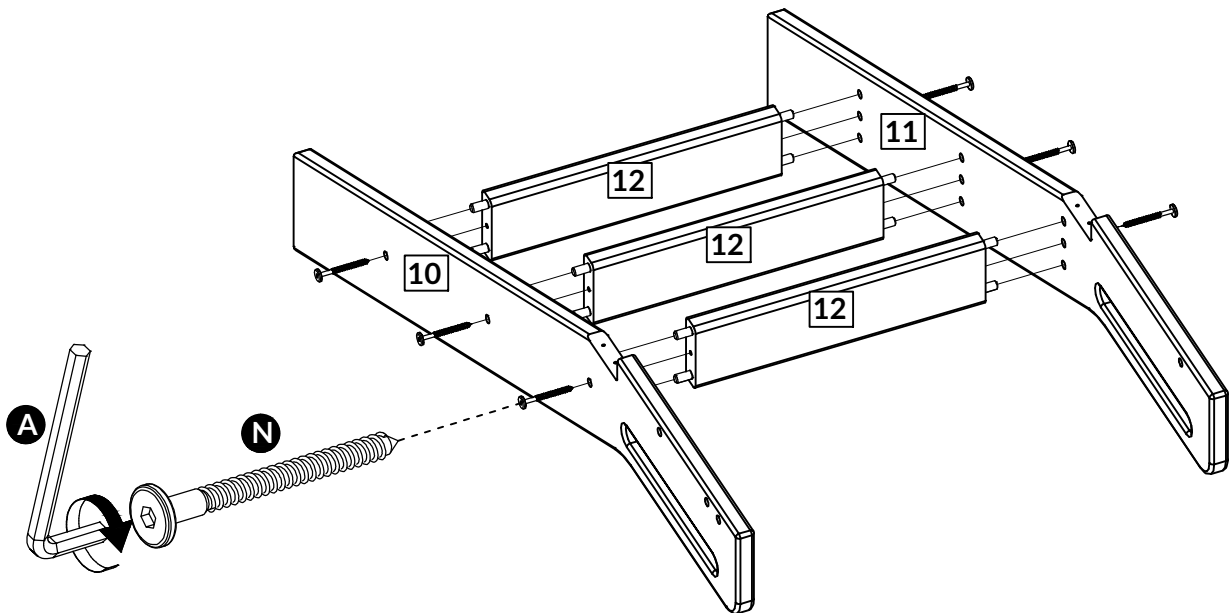
**B** x12



# 14

**A** x1

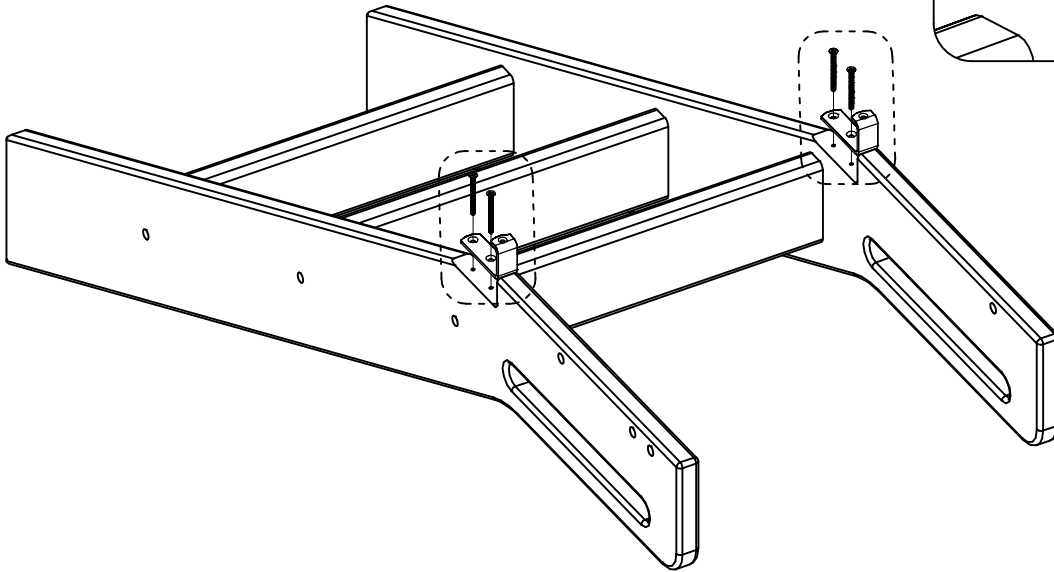
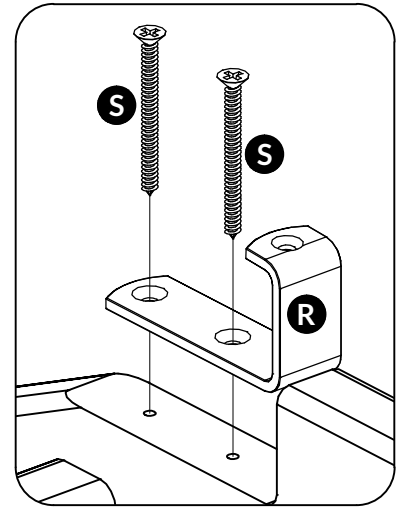
**N** x6



15

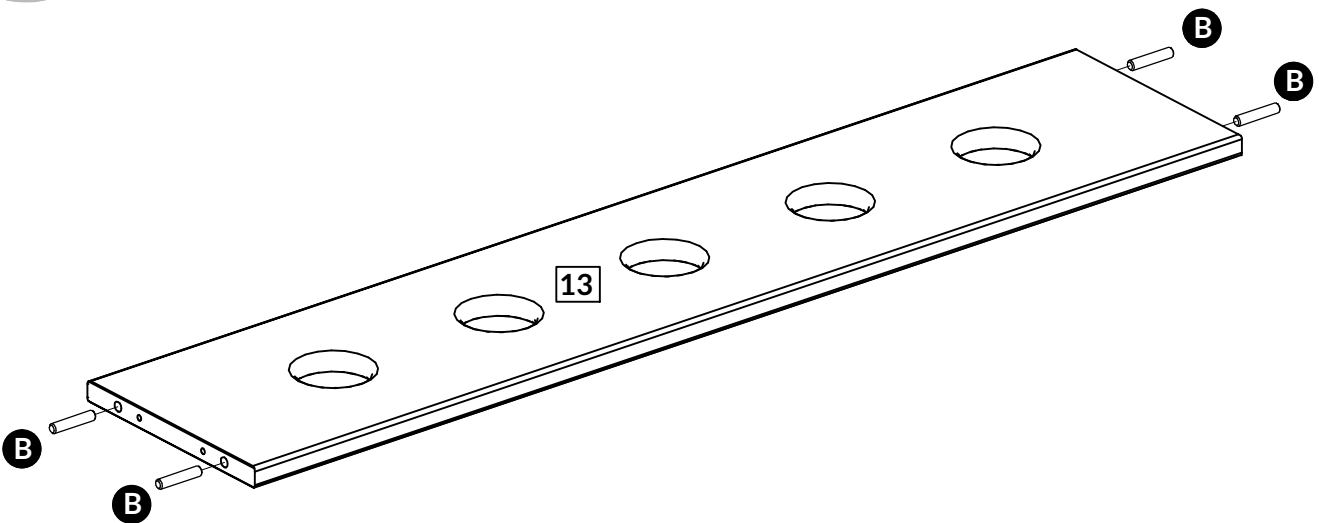
R x2

S x4



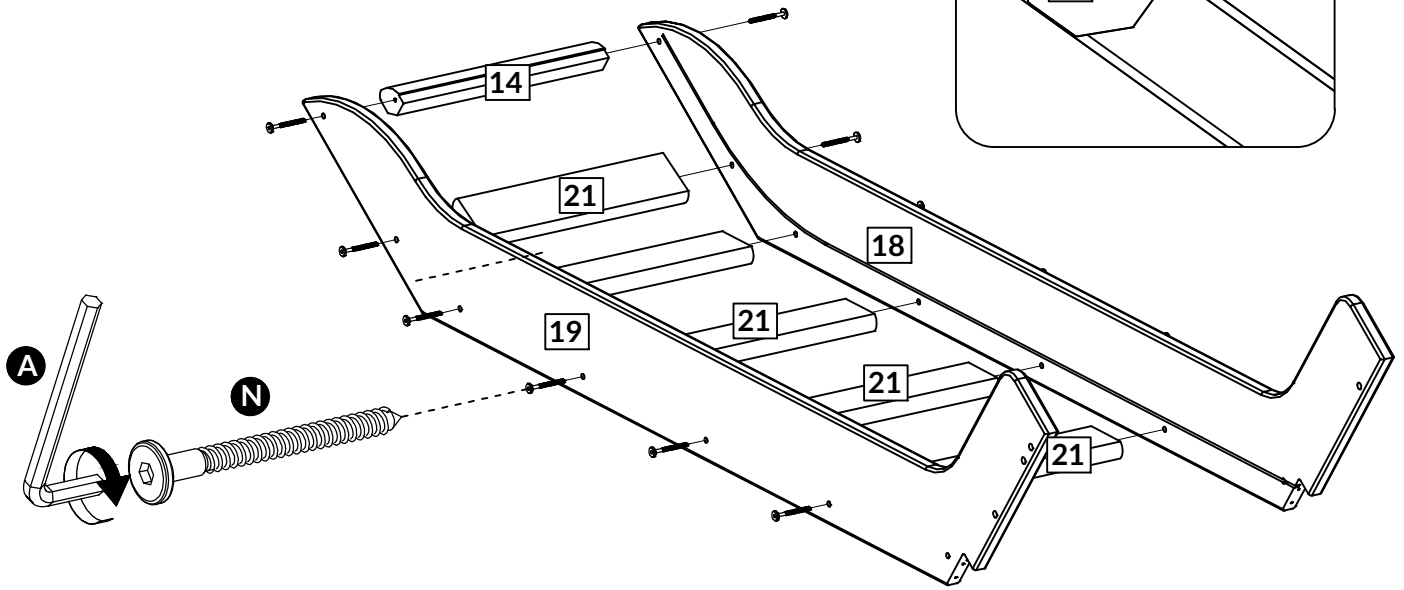
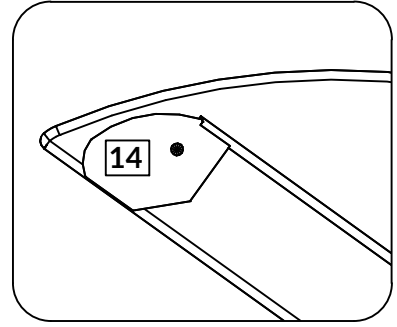
16

B x4

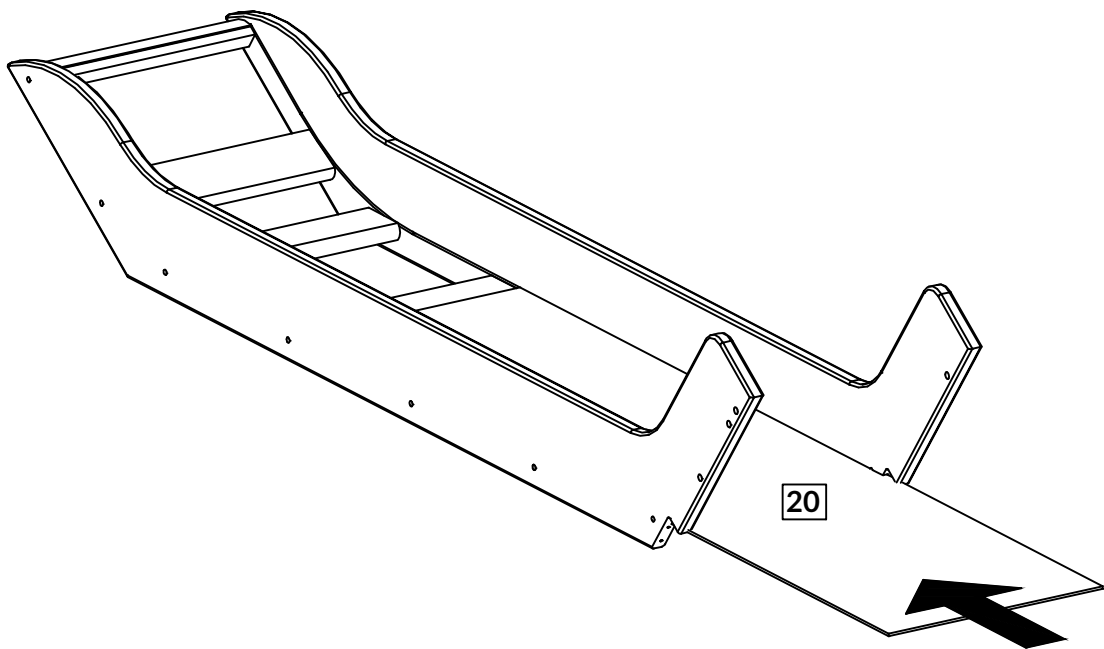


# 17

**A** x1  
**N** x12



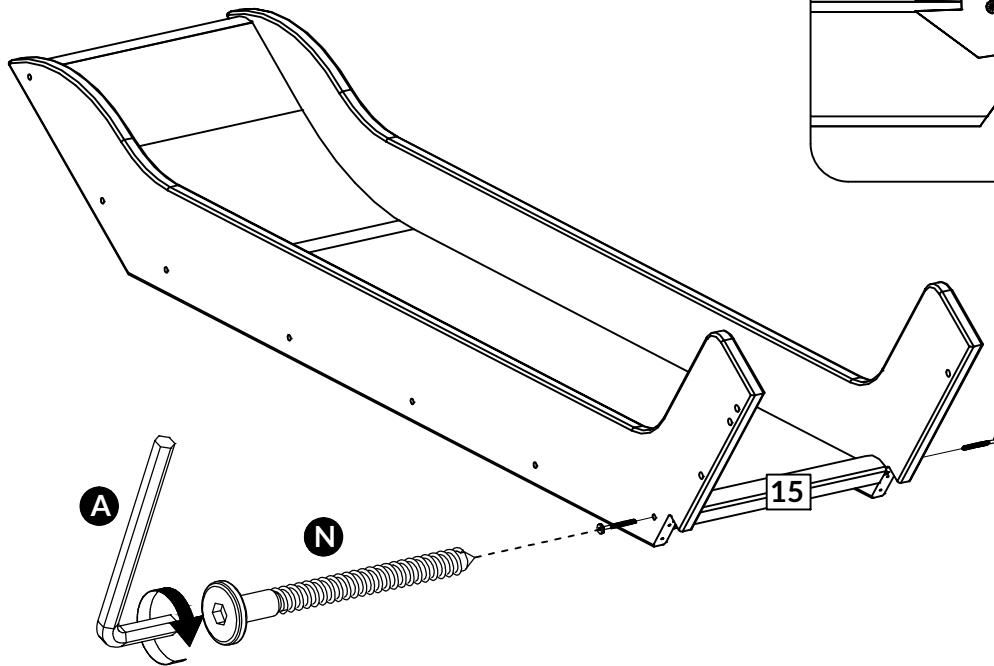
# 18



# 19

**A** x1

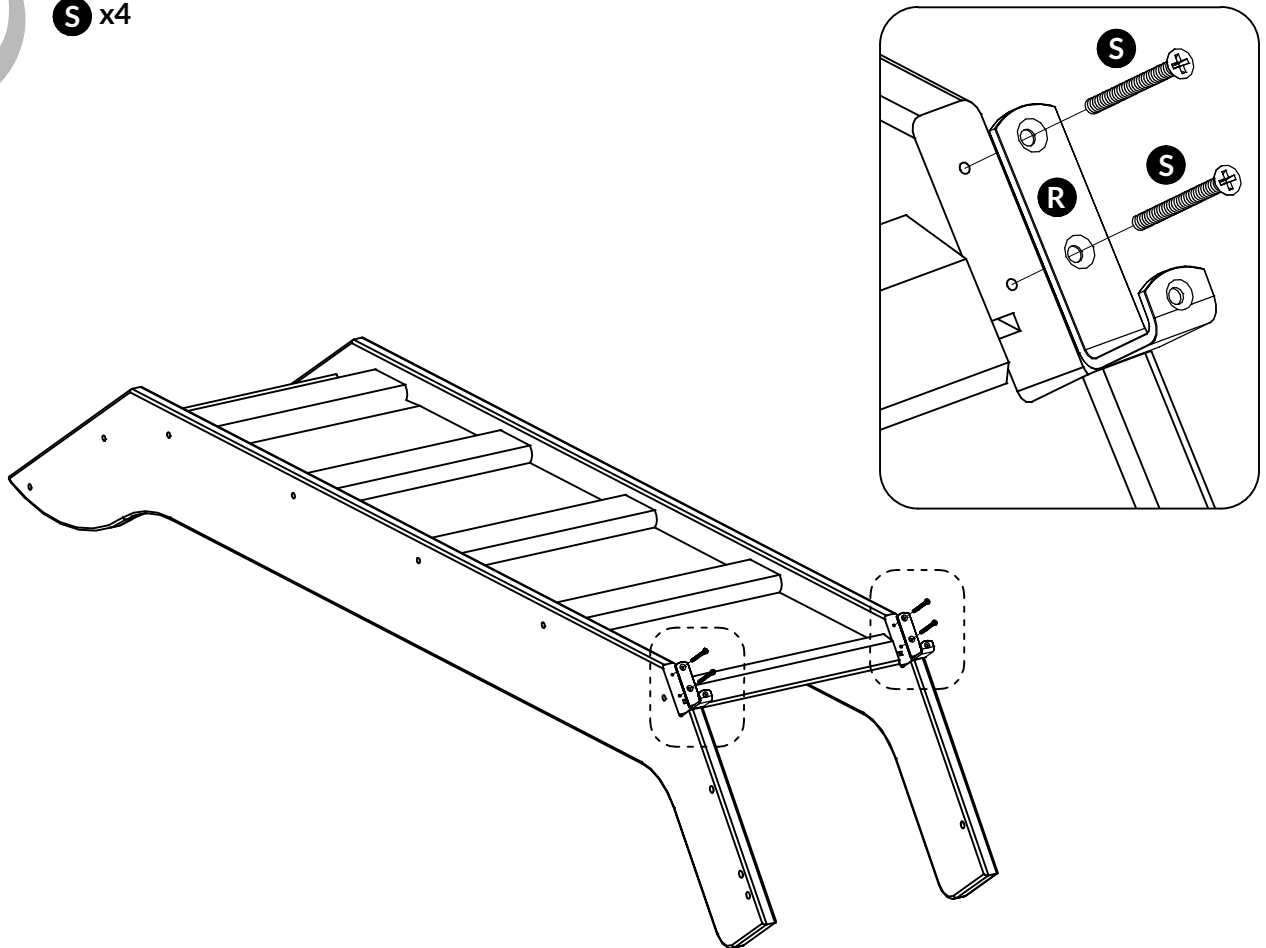
**N** x2

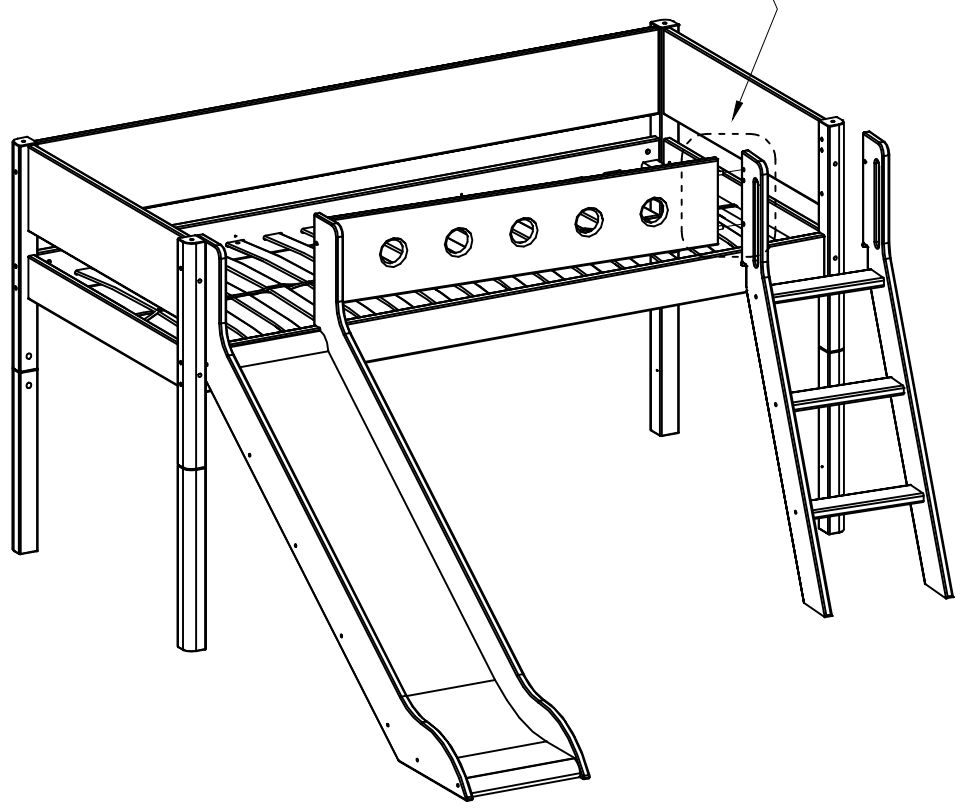
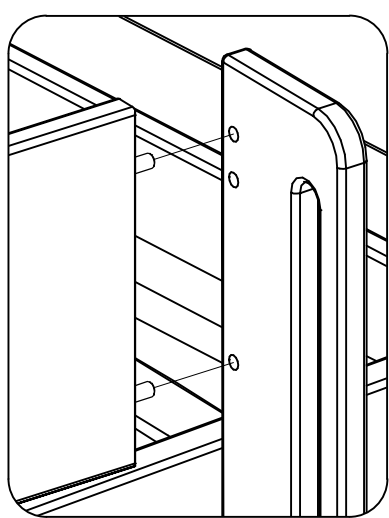
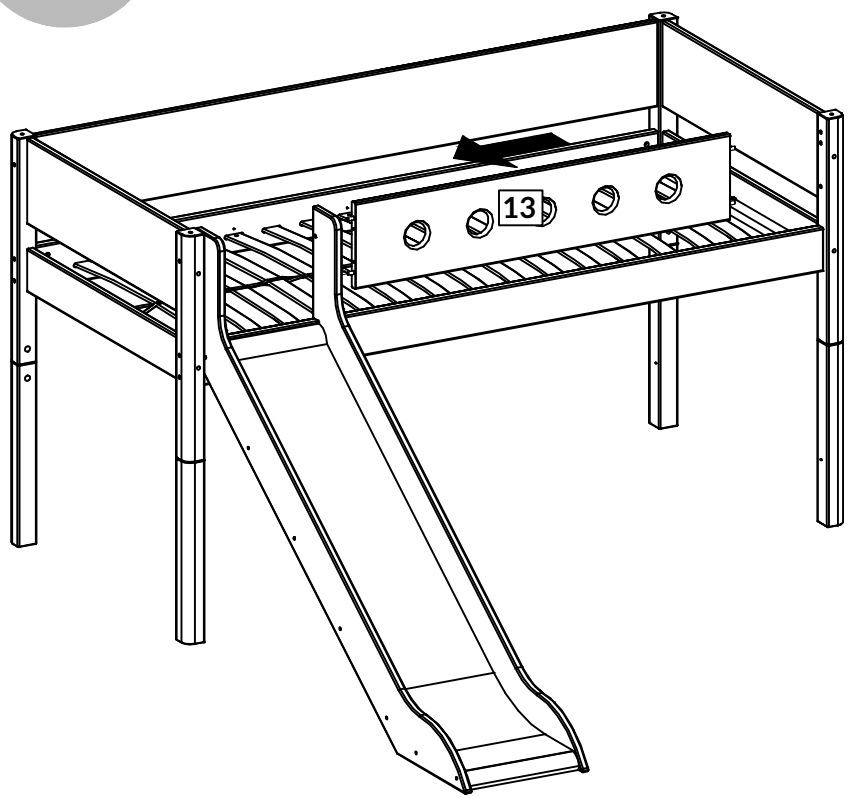


# 20

**R** x2

**S** x4

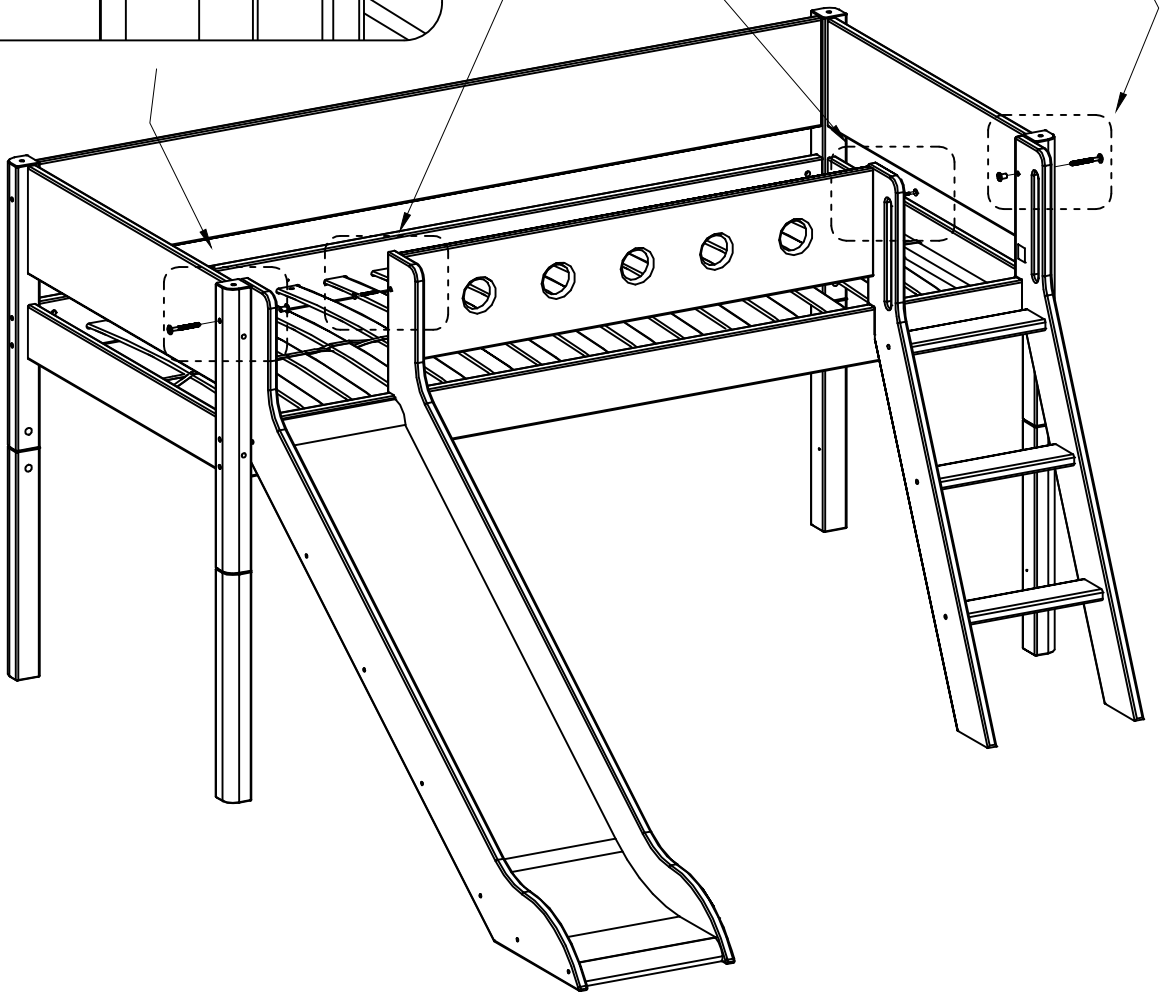
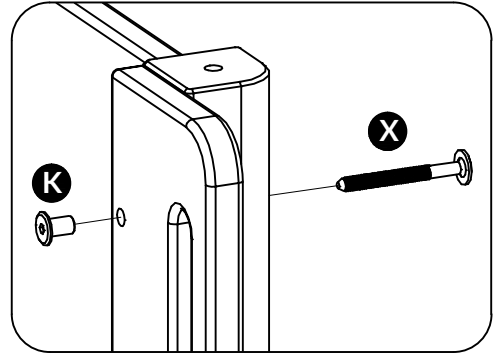
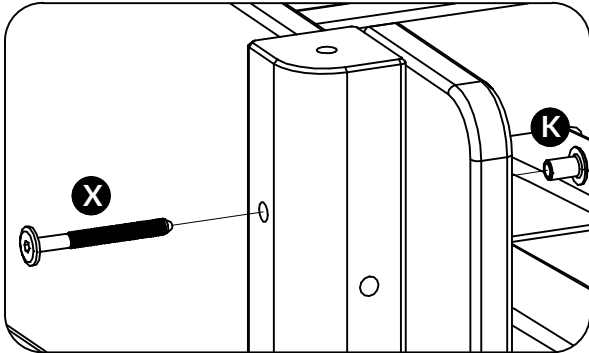
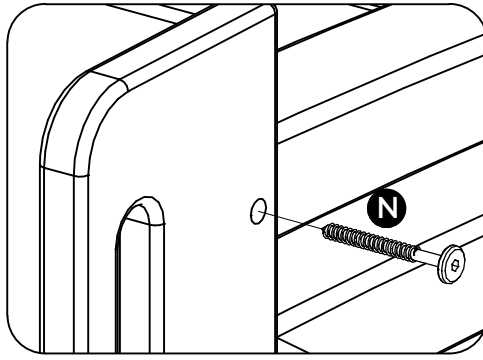






22

- A x1
- K x2
- N x2
- X x2

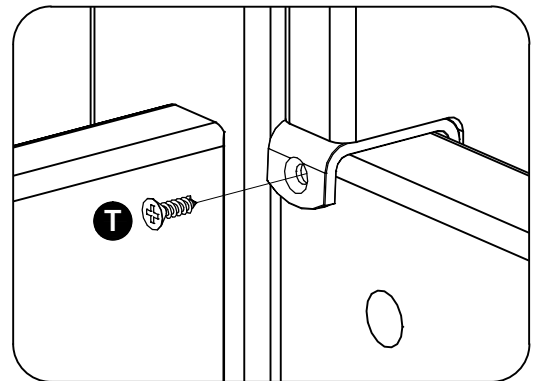
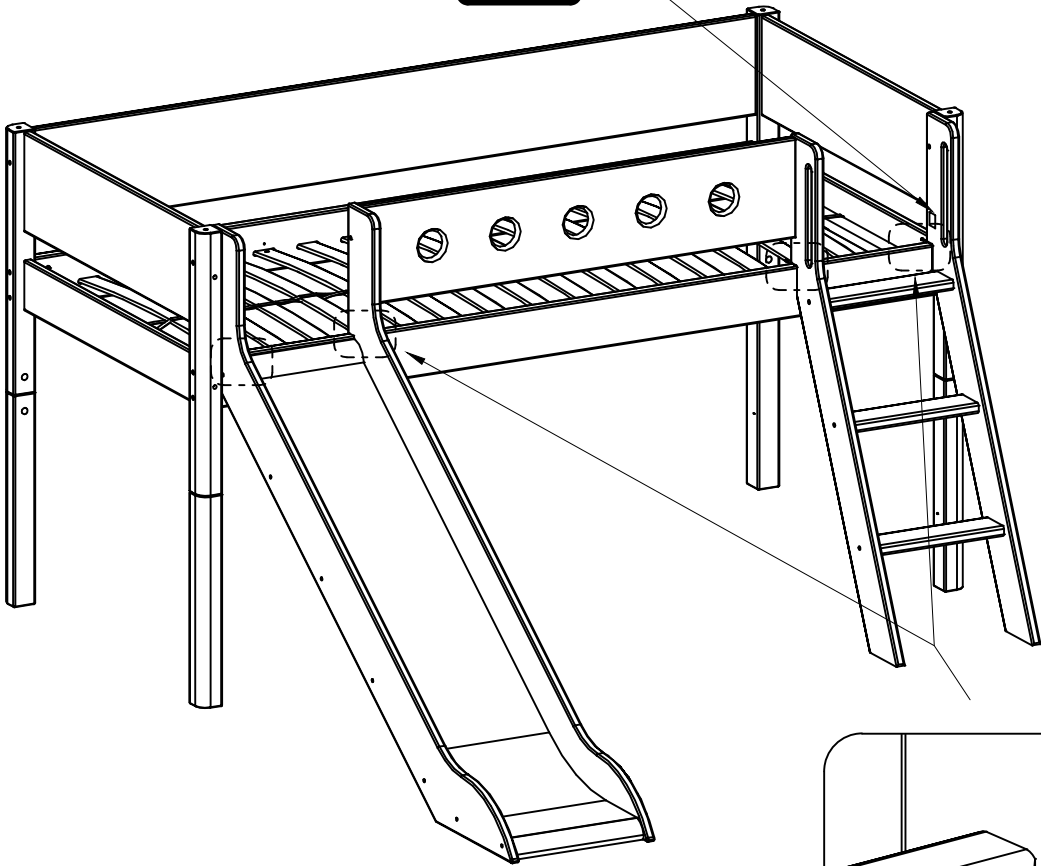


DK: Max. madrashøjde  
 GB: Maximum height of mattress  
 D: Max. Höhe der Matratze  
 F: Hauteur maximum du matelas  
 E: Altura del colchon maximo  
 NL: Maximale matrashoogte  
 I: Altezza massima del materasso  
 FI: Enimmäiskorkeus patja  
 GR: Μέγιστο ύψος του στρώματος  
 PL: Maksymalna wysokość materaca  
 PT: Altura máxima de colchão  
 RO: Înălțimea maximă a saltelet  
 RU: Максимальная высота матраса  
 CN: 床垫的最大高度  
 JP: マットレスの最大の高さ  
 KR: 매트리스의 최대 높이

DK: Max. madrashøjde  
 D: Max. Höhe der Matratze  
 GB: Max. height of mattress  
 F: Hauteur max. du matelas  
 I: Altezza max. materasso  
 E: Altura del colchon maximo  
 NL: Maximale matrashoogte  
 CN: 床垫床褥之最大高度

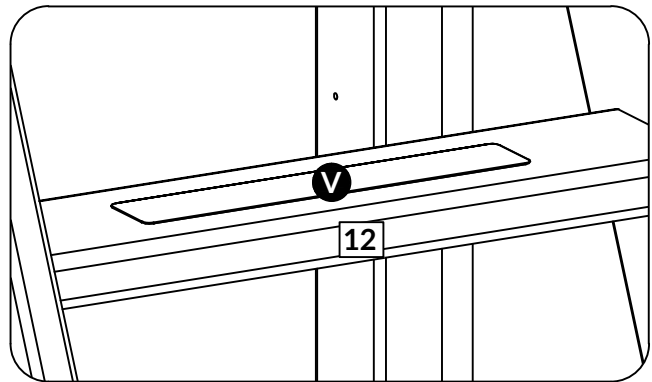
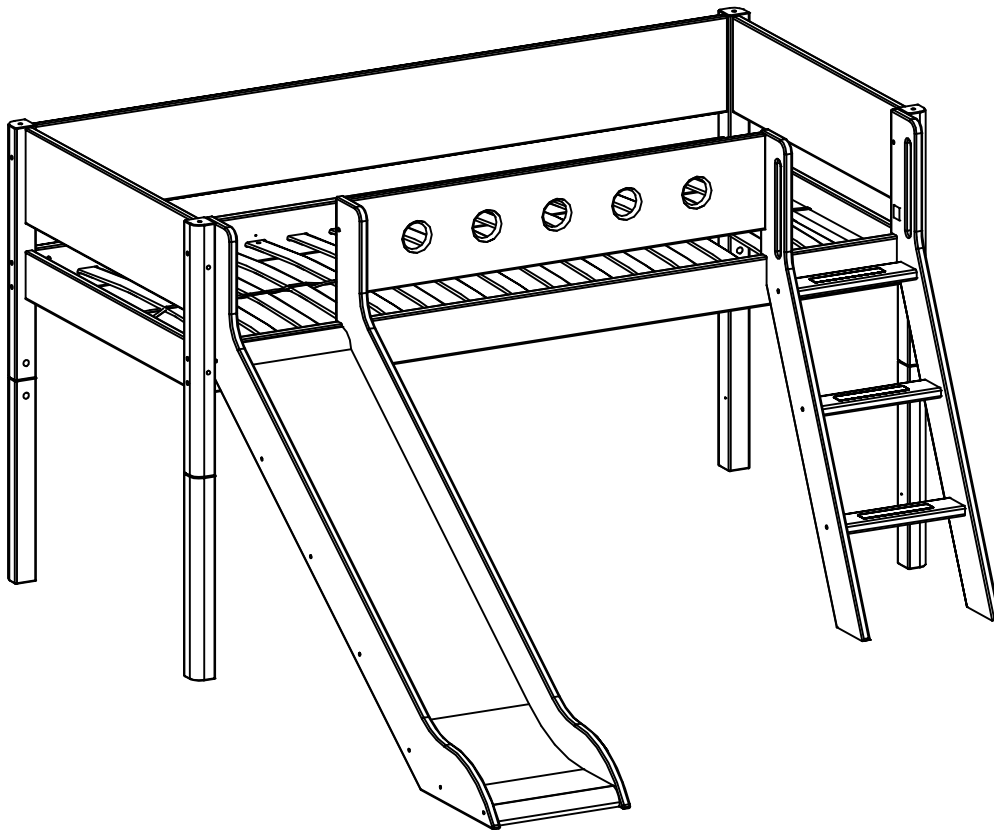


Conforme aux exigences de sécurité des normes en vigueur. Les couchages en hauteur ne conviend pas à des enfants de moins de six ans !.

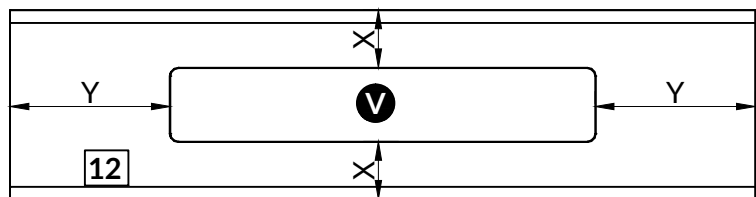


24

V x3

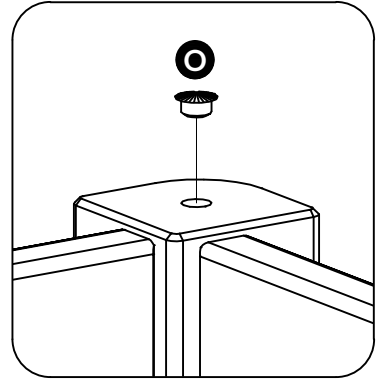
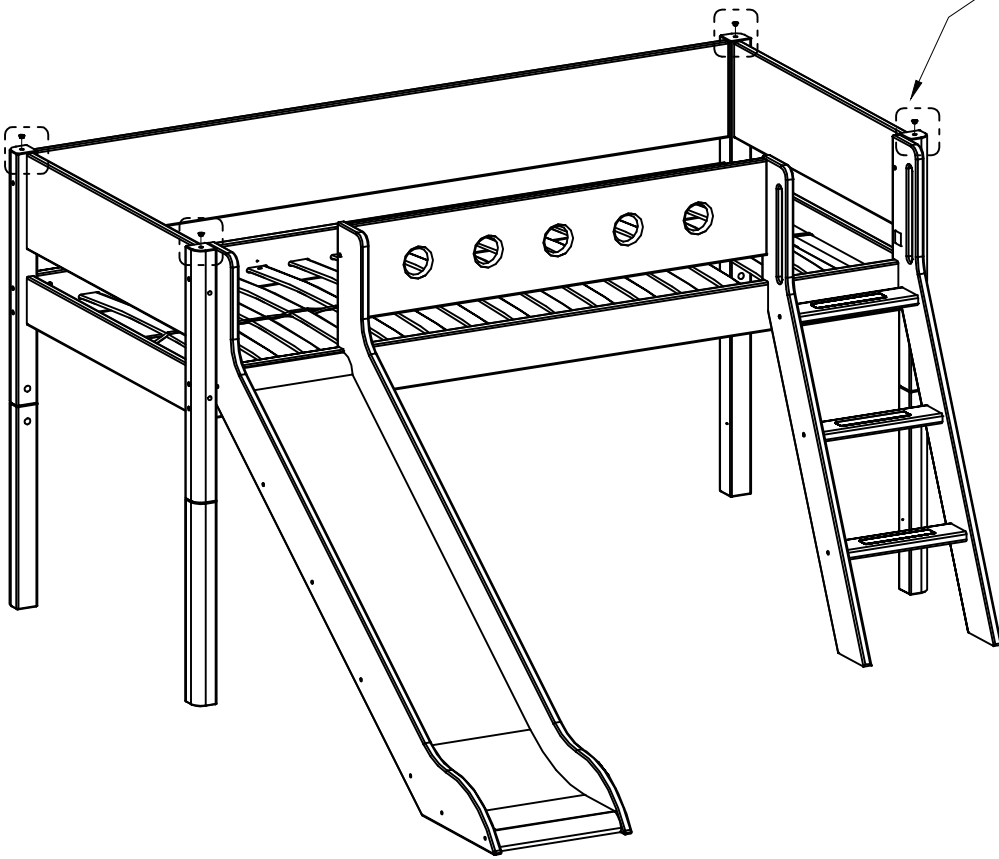


X=X  Y=Y



25

⊙ x4





## Product Declaration

**Product:** Children's furniture

**Product No:** Please refer to the label or the Assembly and User Instruction. The product code refers to the type, length and color of the product. As an example : "80-" · Bed ranges, "81-" · Board furniture ranges, "82-" · Accessories, "83-" · Accessories fabric / foam etc. Surface listings: "-2" · White, "-3" · Grey etc.

### Technical

**character and size:** Please refer to the Assembly and User Instruction.

**Main material:** European Pinewood, Oak, Ash or MDF

**Lacquer:** Water soluble UV lacquer complying with the EN standard

**Glue:** Glue complying with the EN standard

**Metal parts:** Coating complying with the EN71 standard, part 3

**Production date:** Please refer to the label on the outer package.

Furniture products from FLEXA® are tested according to relevant European and American safety standards, e. g. EN, CE, GS, and CFR. Furthermore, FLEXA's products are tested by the China National Quality Supervision Center for Furniture and complying with the GB28007-2011 children furniture standard in China and other relevant standards. Also, we comply with the EN717 concern the formaldehyde release.

### Assembly

**and spare parts:** Please refer to the Assembly and User Instruction.

**Maintenance:** Please refer to the Assembly and User Instruction.



**Quality materials** FLEXA insists on the highest quality and sustainability as a standard when we make furniture. For example, we only use the highest quality wood from sustainable forests in Scandinavian. We are thereby ensuring that only the very best material is used for our furniture.



**5-year guarantee** FLEXA's aim is always to deliver the highest quality and safety. That is why we provide a 5-year guarantee against manufacturing defects on all our furniture. The guarantee does not cover damage to the lacquer surface caused by knocks or wear and tear.



**Lacquer** FLEXA furniture is surface treated with lacquer several times to give our furniture an optimal and elegant finish. At the same time it makes our furniture robust and more resistant to signs of wear and tear. FLEXA is only using eco-friendly water-based lacquer and UV lacquer, which meets the EU standard for lacquer.



**Colour differences** Many FLEXA furniture is made of solid wood or part of it is in solid wood and natural differences in colour may appear between individual products. This is only natural since wood is a living product. All FLEXA textiles are made of natural products. Natural differences in colour may occur.



**Non-toxic furniture** FLEXA cherishes the health of your child, given that all FLEXA furniture is tested according to the strict international safety standards EN71-3, DIN717-3, DIN 53160, GB28007-2011 children furniture standard in China and other relevant standards. Your guarantee of non-toxic furniture.

Children's furniture from the Danish company, FLEXA, is designed by FLEXA according to Scandinavian design traditions. The wood furniture are manufactured by FLEXA in Europe and sold worldwide.

FLEXA® and the FLEXA® logo are trademarks of Flexa4Dreams Holding A/S.

**For six years old or above.  
Only for adult to assemble.**

**Manufacturer:** FLEXA4Dreams Holding A/S, Denmark

**Address:** Fredensgade 36, 8000 Aarhus C, Denmark

**Tel:** +45 7668 8055      **Fax:** +45 7668 8069

**Email:** flexa@flexa.dk

**Website:** www.flexaworld.dk

## 告 顾 客 书

**产 品 编 号:** 儿童家具。

**产 品 编 号:** 参见标签或包装内的安装及使用说明。产品编号代表产品的类型、长度和颜色。

例如：货号“80-”开头为床组合；“81-”泛指家具类；“82-”为配饰类。外观颜色包括：“-2”为白色，“-3”为北欧灰色。

**技术特征和尺寸:** 见安装及使用说明。

**主 材 料:** 北欧松木、橡木、橡木贴面。

**油 漆:** 水溶性UV漆，符合EN标准。

**胶 水:** 胶水符合欧洲质量标准。

**金 属 配 件:** 符合欧洲家具安全标准EN71, 第三部分。

芙莱莎集团出品的家具依照相关欧洲及美国的安全标准测试。例如: EN、CE、GS、CFR。芙莱莎产品经中国国家家具质量监督中心的检测，符合中国儿童家具国家强制标准GB28007-2011以及中国其他相关的儿童家具标准。同时产品符合欧洲标准EN717中针对甲醛释放的要求。

**安 装 及 配 送:** 见安装及使用说明。

**日 常 维 护 保 养:** 见安装及使用说明。



**高品质的木材** 芙莱莎始终如一地坚持高品质，例如，芙莱莎选用北欧斯堪地纳维亚森林中优质的松木制作儿童家具。



**五年质保** 芙莱莎的目标是提供始终如一的高品质和安全性，因此芙莱莎推出5年质保服务，但仅针对家具生产制造过程中造成的缺陷，不针对漆面的损伤。



**掉 漆** 芙莱莎儿童家具的表面都用水溶性UV漆经过多次涂刷可以让家具更加耐磨耐损。芙莱莎所使用的水溶性UV漆达到EU标准。



**自然色差异** 材料因实木材质会具有活性或其他天然因素而产生天然色差。



**芙莱莎家具** 为了您的孩子身心健康考虑。FLEXA家具产品符合严格国际安全标准，包括严苛的EN71-3重金属欧盟标准；欧盟717-3甲醛检测标准；DIN53160耐汗唾液色牢度测试。

芙莱莎儿童家具是一家丹麦公司，依照北欧风格所设计。芙莱莎实木家具均由欧洲生产，然后发往全球销售。

芙莱莎® 和FLEXA® 是Flexa4Dreams Holding A/S (芙莱莎)集团的注册商标。

**适用于6岁及以上年龄**  
**注意！只允许成人安装, 儿童勿近**

芙莱莎儿童家具秉承不断改进的原则。  
2021年05月01日自印刷日起生效, 旧版本自动作废。

**中国地区以中文为准。**

**公 司:** FLEXA4Dreams Holding A/S, Denmark  
**地 址:** Fredensgade 36, 8000 Aarhus C, Denmark  
**电 话:** +45 7668 8055 **传真:** +45 7668 8069  
**邮 箱:** Flexa.china@flexa.com.cn  
**网 址:** www.flexaworld.dk