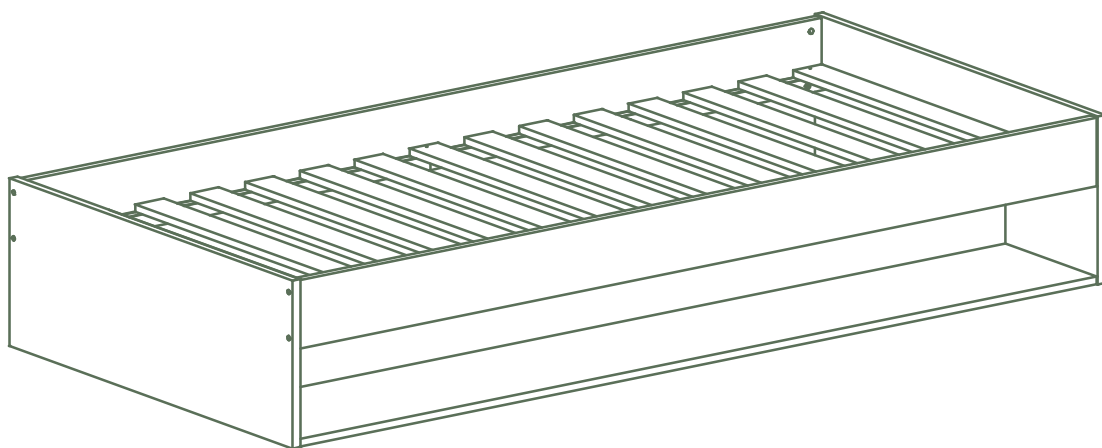


GROW

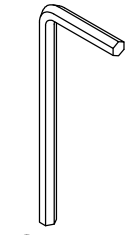
80-42101



204x94,6x35,5 cm
For indoor domestic use.

FLEXA[®]

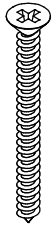
Made for Moments. Made for Life



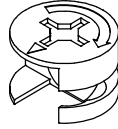
A x1



B x20
Ø8x40mm



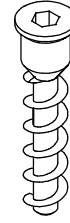
C x5
Ø3,5x40mm



D x10
Ø15x11,4mm



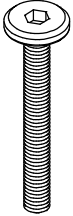
E x10
34mm



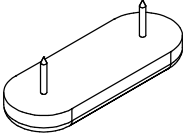
F x12
Ø7x40mm



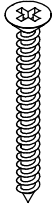
G x8
Ø10x14mm



H x8
M6x50mm



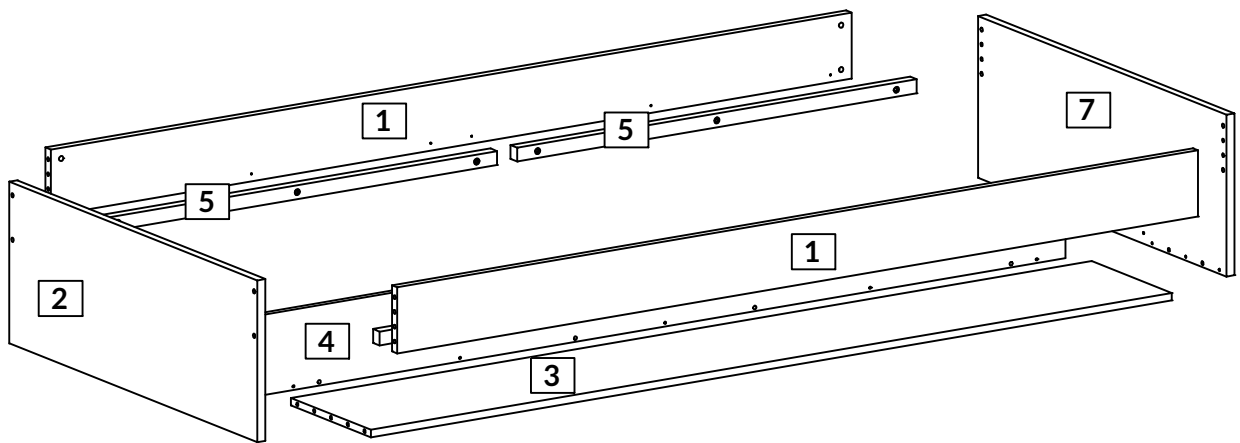
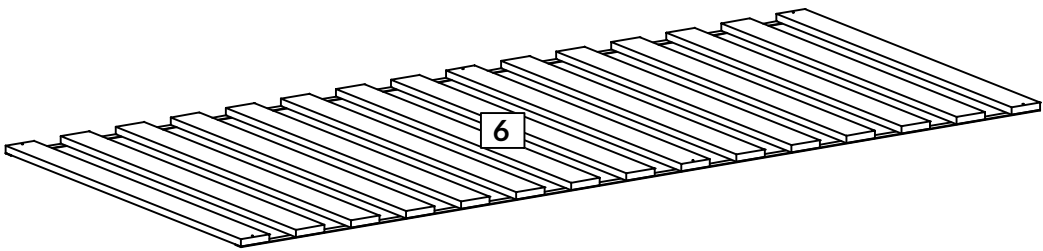
I x6
44x16mm



J x6
Ø3,5x35mm

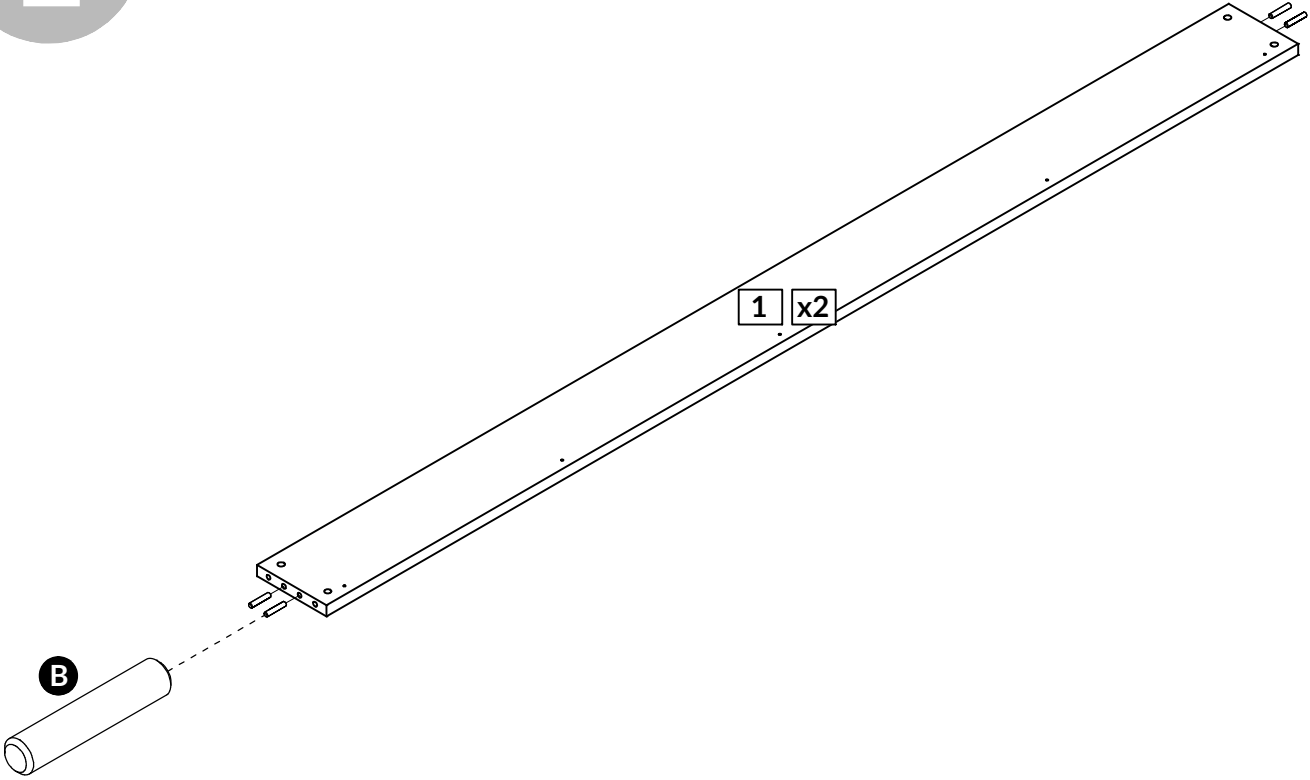
No.	Qty.	Item no.for spareparts	Colli
1	2	15-02020001	80-42103
2	1	15-02009461	80-42102
3	1	15-01620001	80-42103
4	1	15-01620002	80-42103

No.	Qty.	Item no.for spareparts	Colli
5	4	12-02509981	80-42103
6	1	82-30048	80-42102
7	1	15-02009462	80-42102



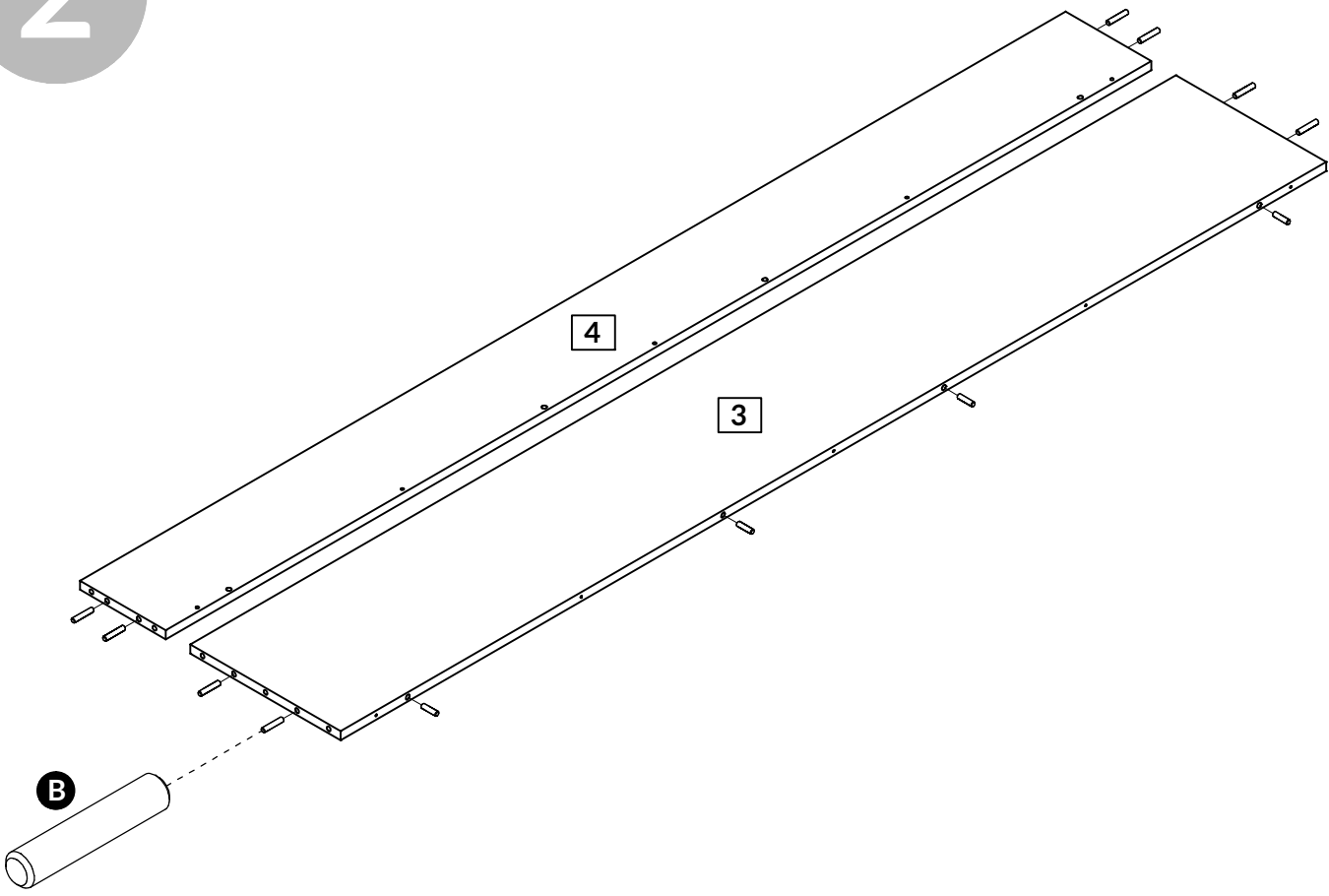
1

B x8



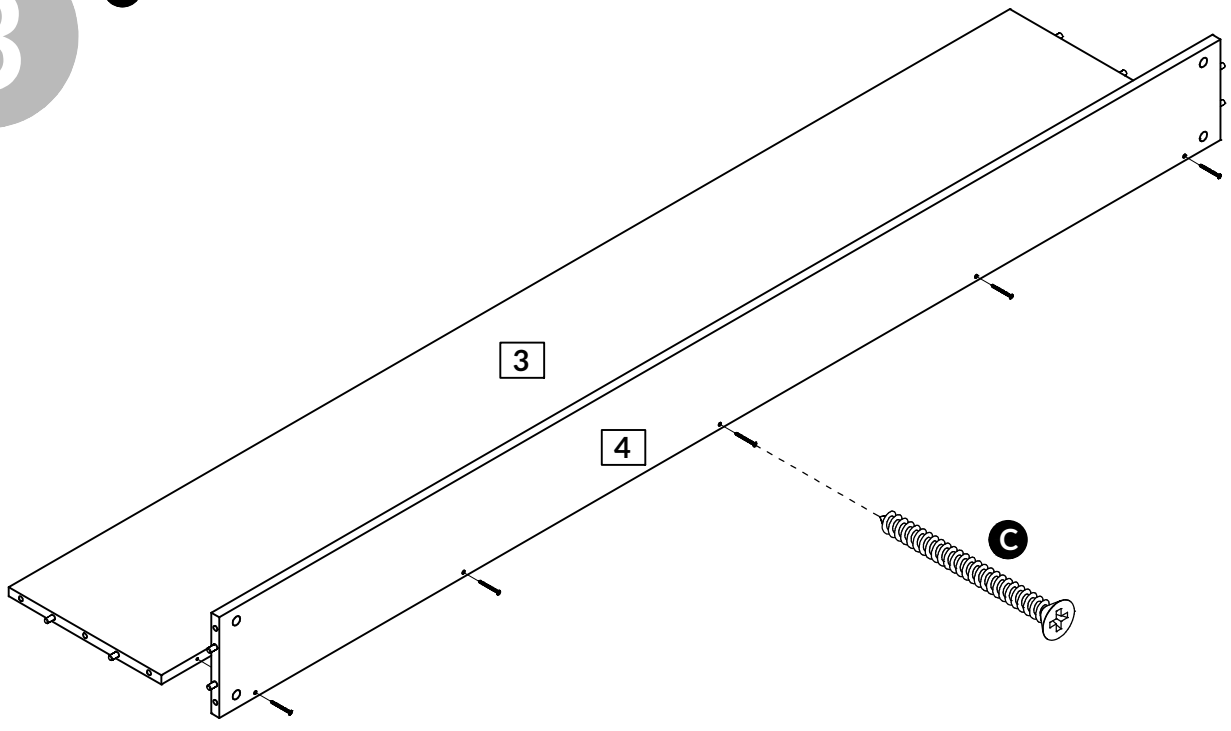
2

B x12



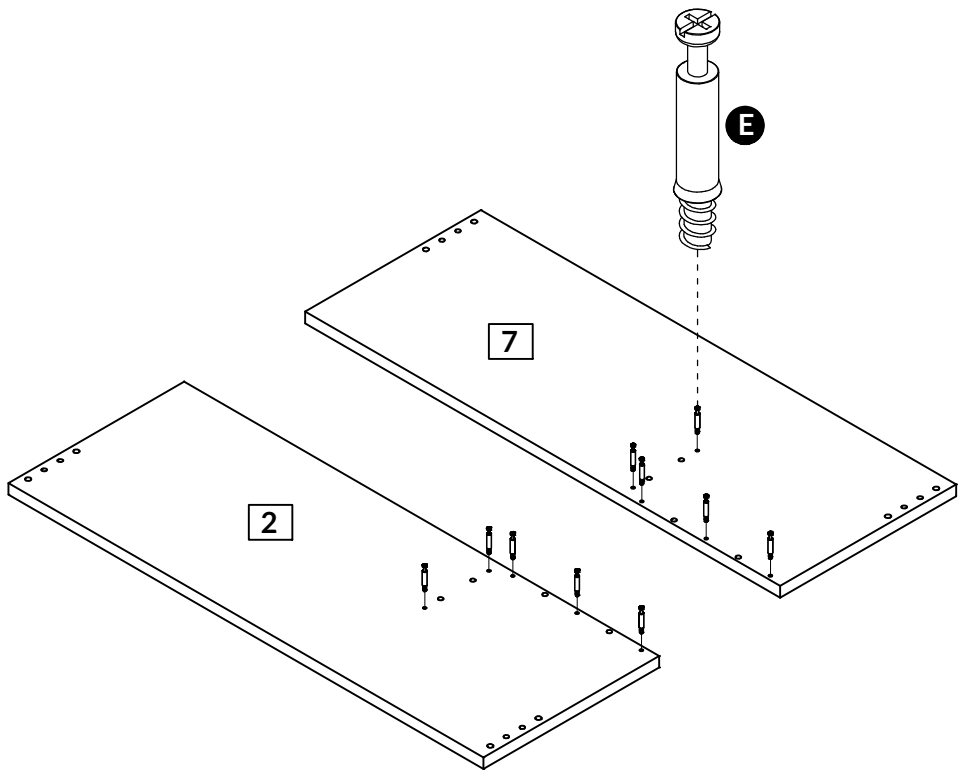
3

C x5



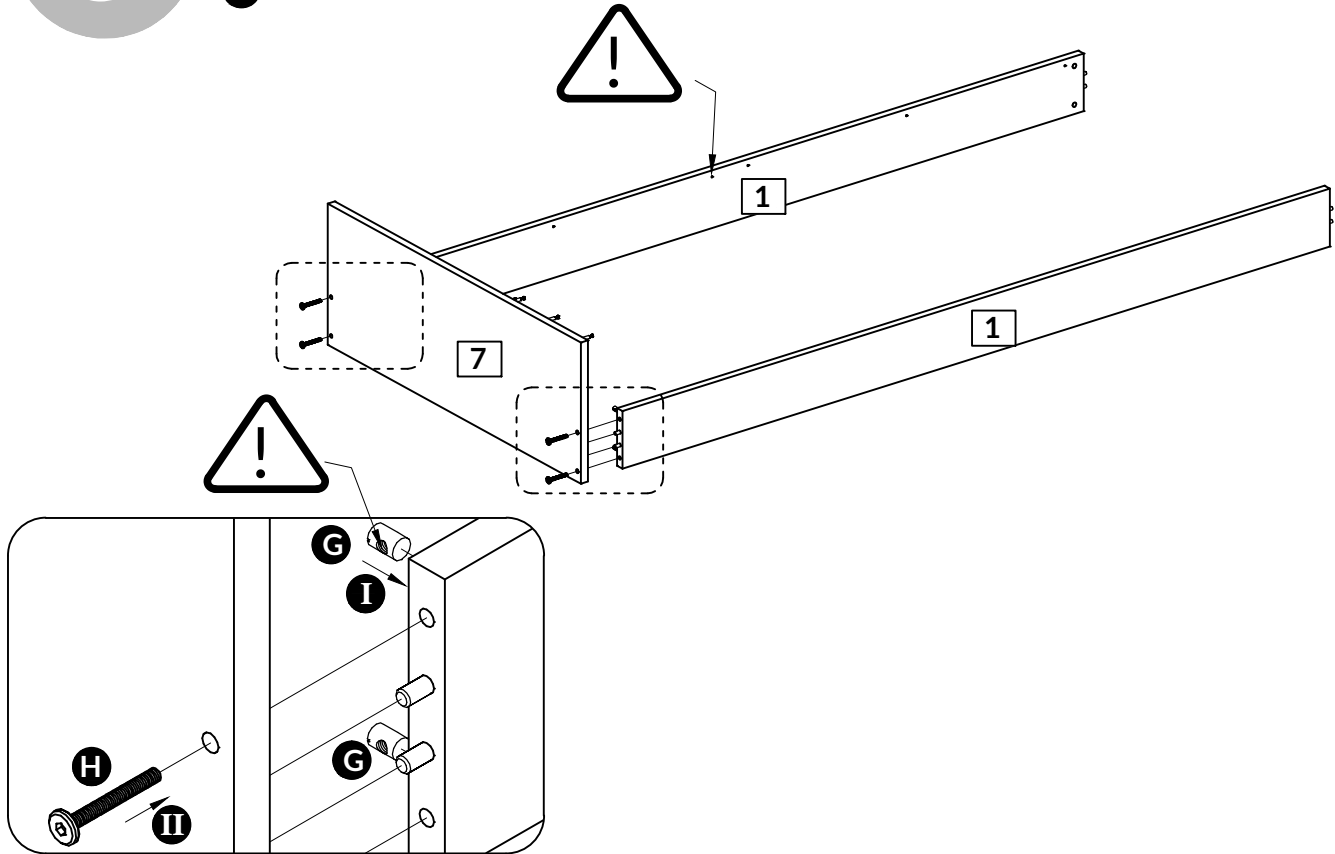
4

E x10



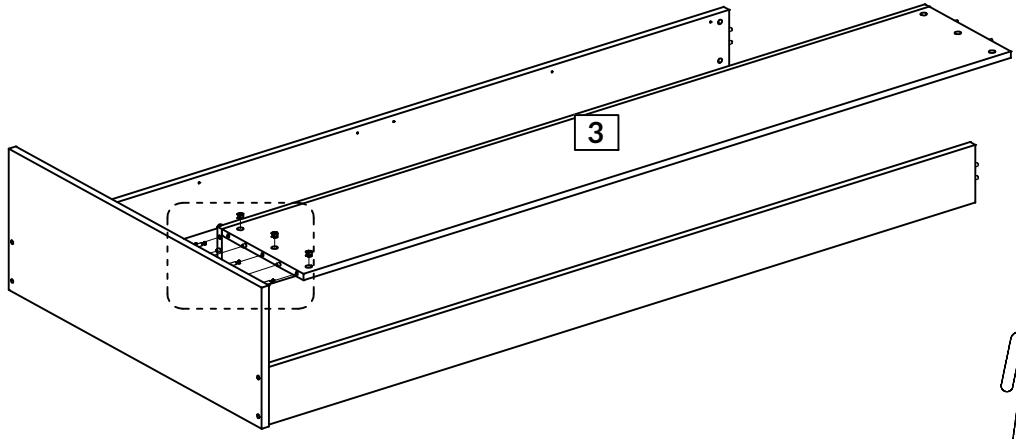
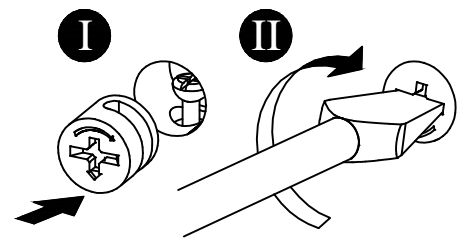
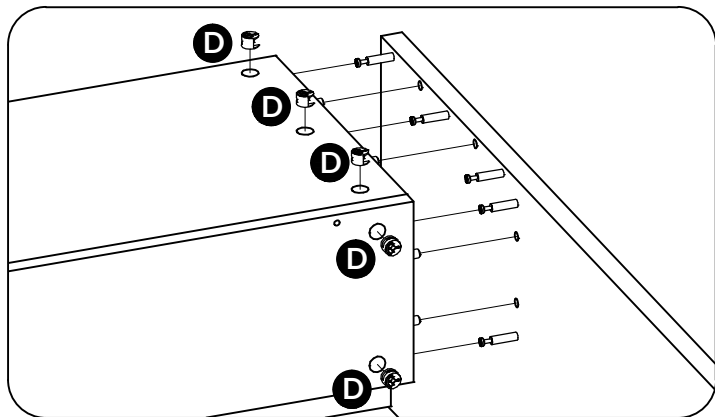
5

- A** x1
- G** x4
- H** x4



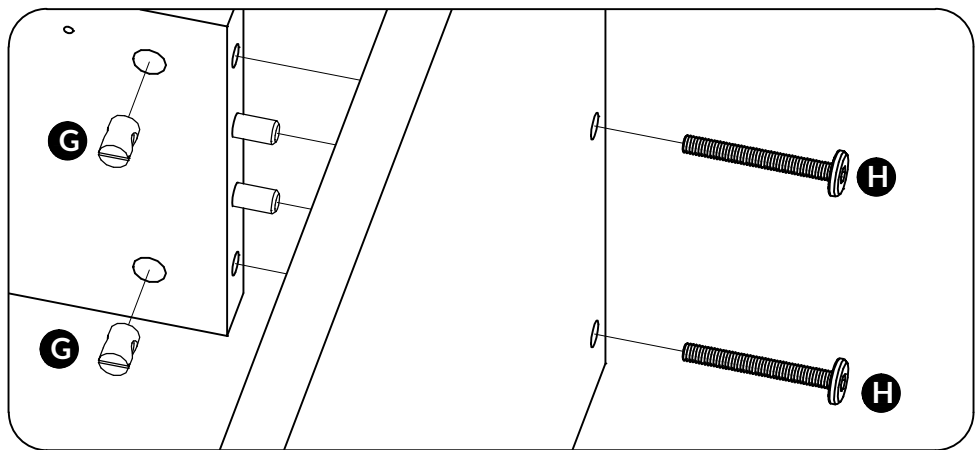
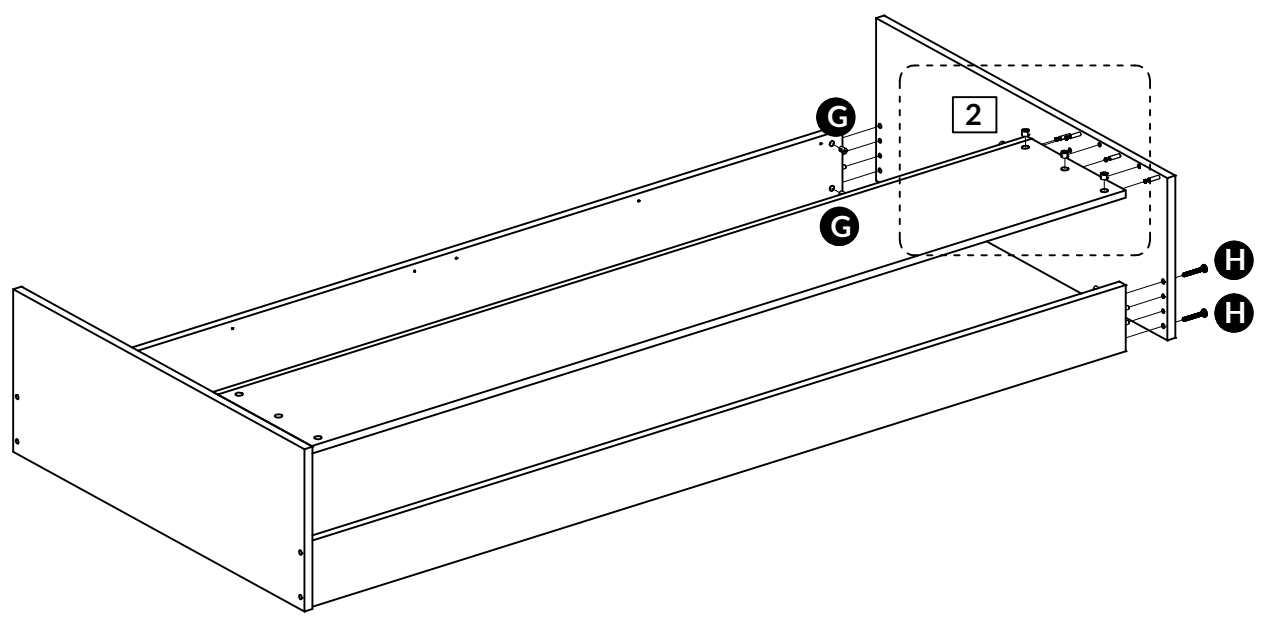
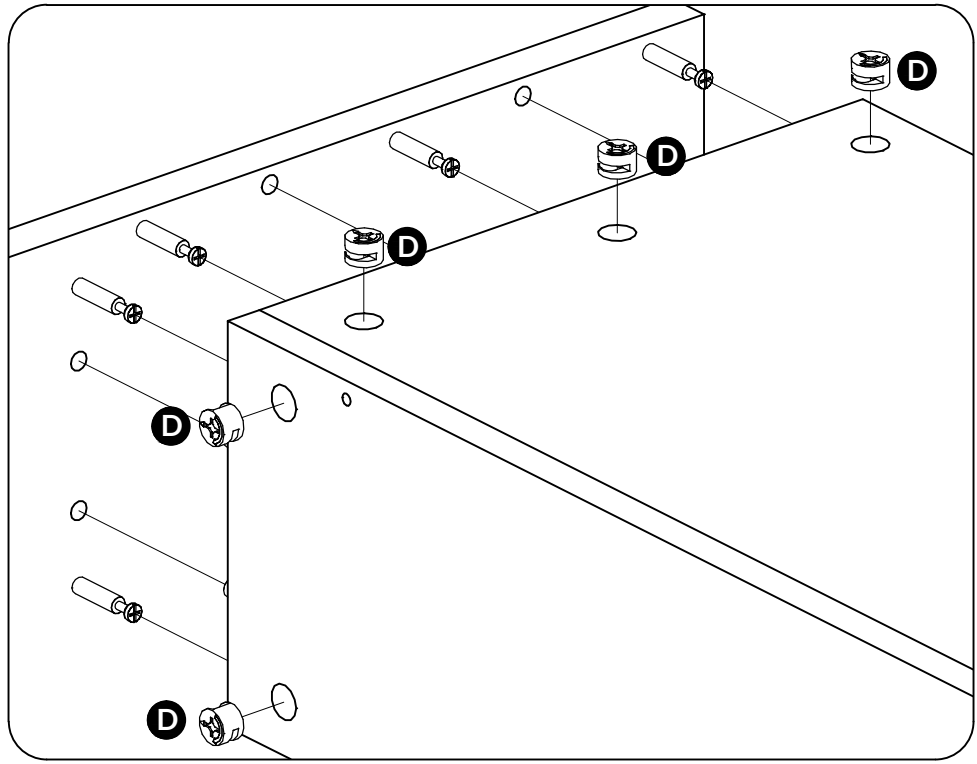
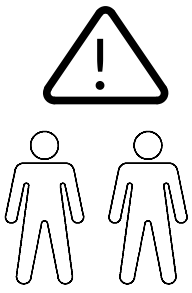
6

- D** x5



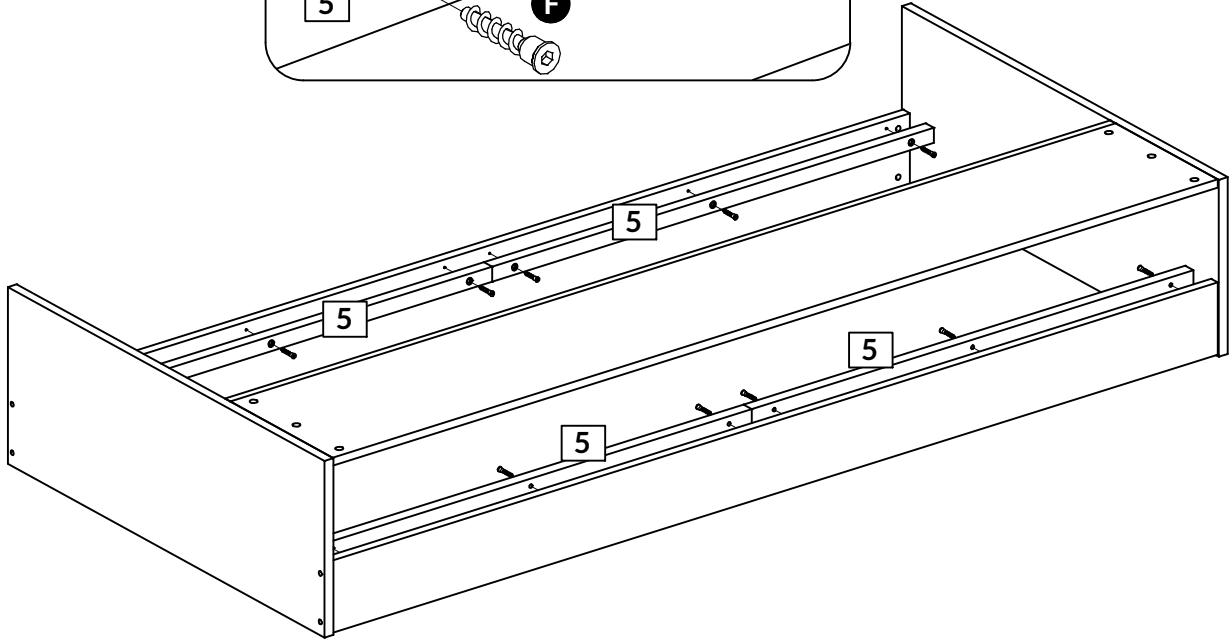
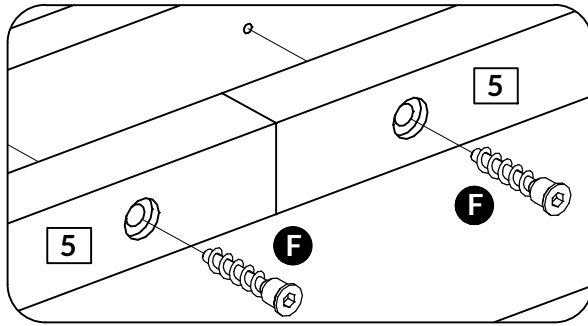
7

- A** x1
- D** x5
- G** x5
- H** x4



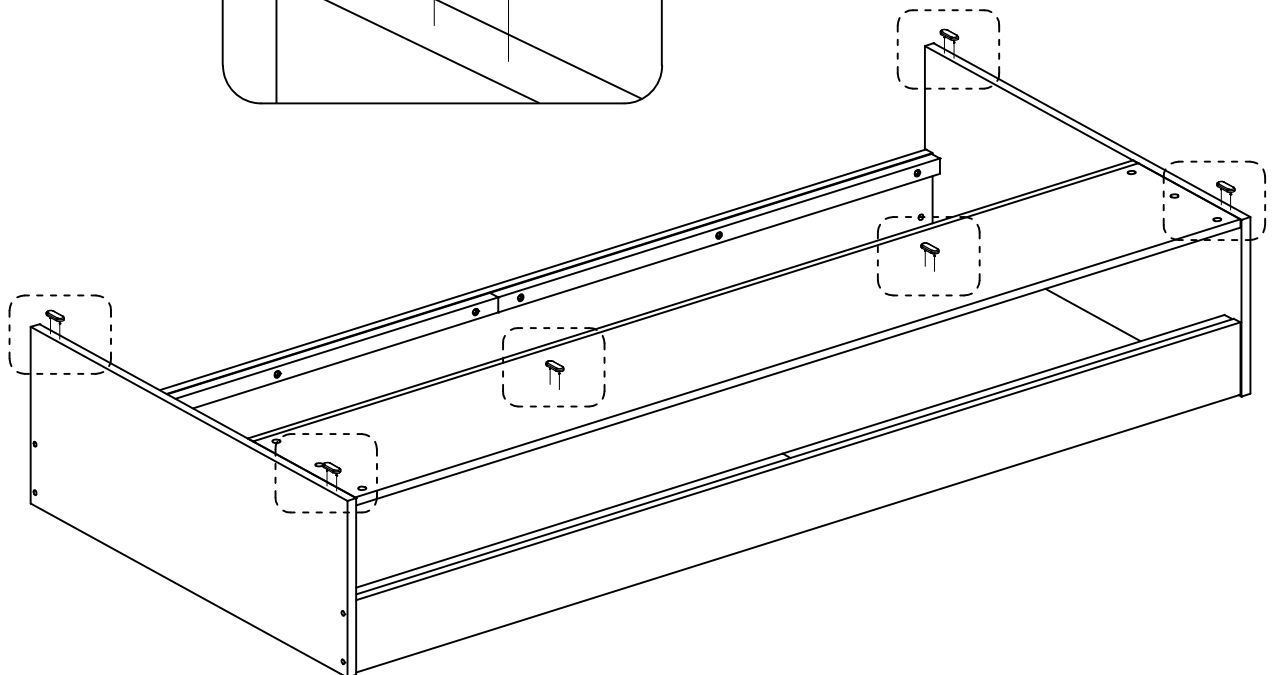
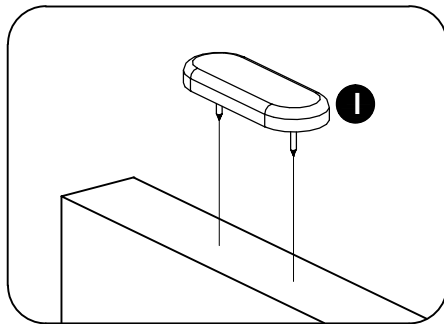
8

A x1
F x12



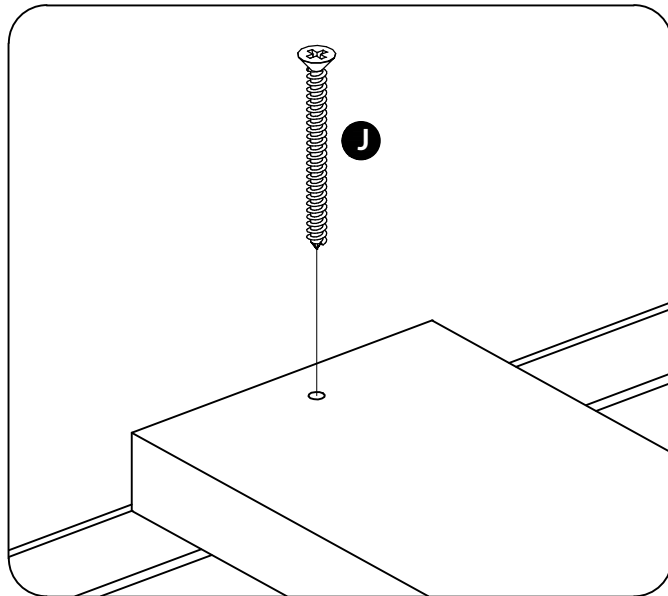
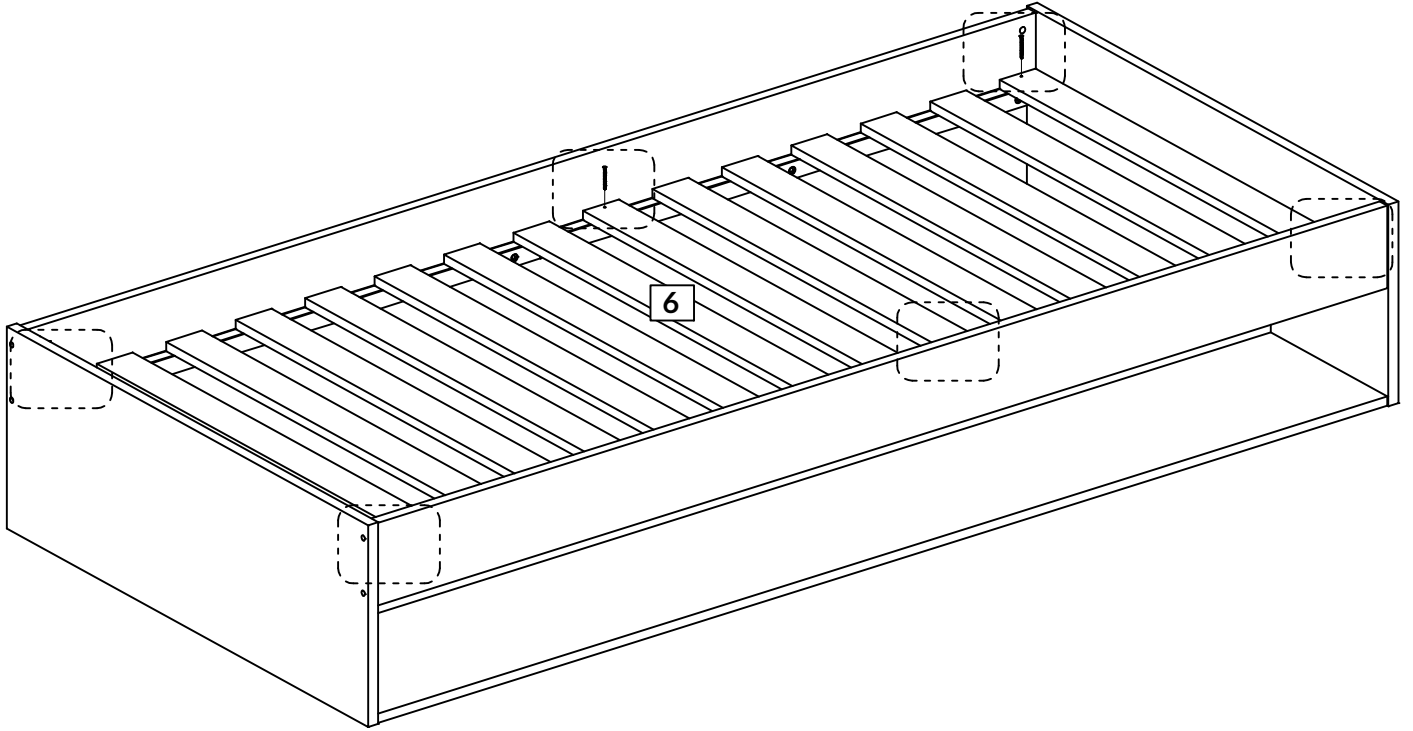
9

I x6



10

J x6





Product Declaration

Product: Children's furniture

Product No: Please refer to the label or the Assembly and User Instruction. The product code refers to the type, length and color of the product. As an example : "80-" · Bed ranges, "81-" · Board furniture ranges, "82-" · Accessories, "83-" · Accessories fabric / foam etc. Surface listings: "-2" · White, "-3" · Grey etc.

Technical

character and size: Please refer to the Assembly and User Instruction.

Main material: European Pinewood, Oak, Ash or MDF

Lacquer: Water soluble UV lacquer complying with the EN standard

Glue: Glue complying with the EN standard

Metal parts: Coating complying with the EN71 standard, part 3

Production date: Please refer to the label on the outer package.

Furniture products from FLEXA® are tested according to relevant European and US safety standards, e. g. EN, CE, GS, and CFR. Furthermore, FLEXA's products are tested by the China National Quality Supervision Center for Furniture and complying with the GB28007-2011 children furniture standard in China and other relevant standards. We also comply with the EN717 concerning release of formaldehyde.

Assembly

and spare parts: Please refer to the Assembly and User Instruction.

Maintenance: Please refer to the Assembly and User Instruction.



Quality materials FLEXA insists on the highest quality and sustainability as a standard when we produce furniture. We only use the highest quality wood from sustainable forests in Scandinavia. We are thereby ensuring that only the very best materials are used for our furniture.



2-year guarantee FLEXA always aims to deliver the highest quality and safety. That is why we provide a 2-year guarantee against manufacturing defects on all our furniture. The guarantee does not cover damage to the lacquer surface caused by knocks or wear and tear.



Lacquer FLEXA furniture is surface treated with lacquer several times to give our furniture an optimal and elegant finish. At the same time it makes our furniture robust and more resistant to wear and tear. FLEXA is only using eco-friendly water-based lacquer and UV lacquer, which meets the relevant standards for lacquer.



Colour differences Many FLEXA furniture, or parts thereof, are made from solid wood. This is only natural since wood is a living product. All FLEXA textiles are made of natural products. Natural differences in colour may occur.



Non-toxic furniture FLEXA cherishes the health of your child. FLEXA furniture is tested according to the strict international safety standards EN71-3, DIN717-3, DIN 53160, GB28007-2011 children furniture standard in China and other relevant standards.

Children's furniture from the Danish company, FLEXA, is designed by FLEXA according to Scandinavian design traditions. The wood furniture are manufactured by FLEXA in Europe and sold worldwide.

FLEXA® and the FLEXA® logo are trademarks of Flexa4Dreams Holding A/S.

**For three years old or above.
Only for adult to assemble.**

Manufacturer: FLEXA4Dreams Holding A/S, Denmark

Address: Fredensgade 36, 8000 Aarhus C, Denmark

Tel: +45 7668 8055 **Fax:** +45 7668 8069

Email: flexa@flexa.dk

Website: www.flexaworld.dk