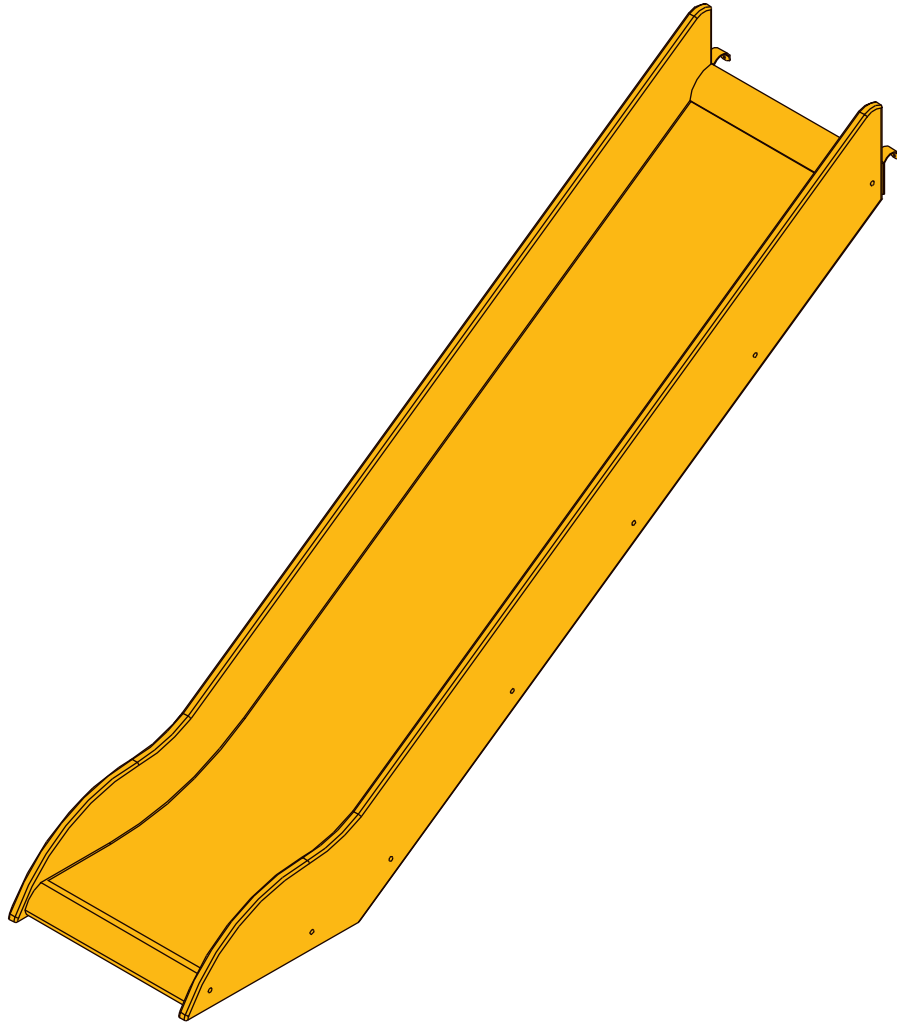


# FLEXA®

82-40004-x

98 x 39 x 147cm



Scan for  
assembly video

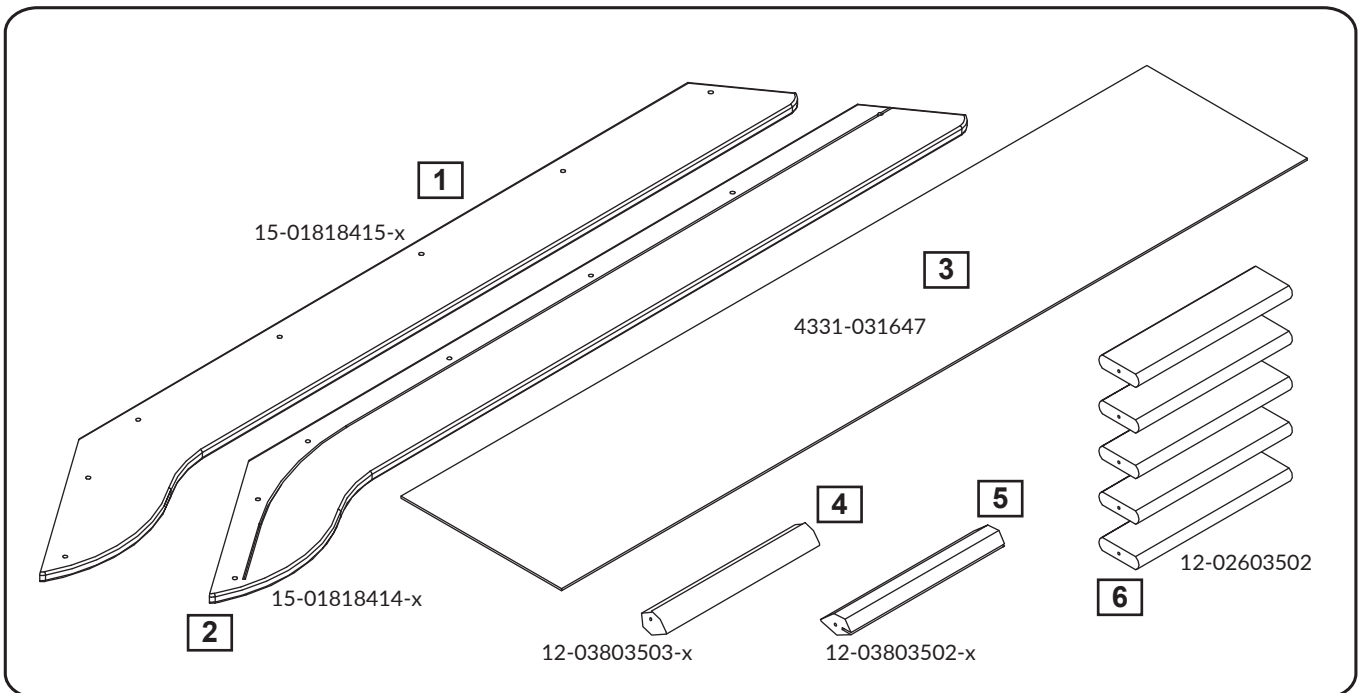
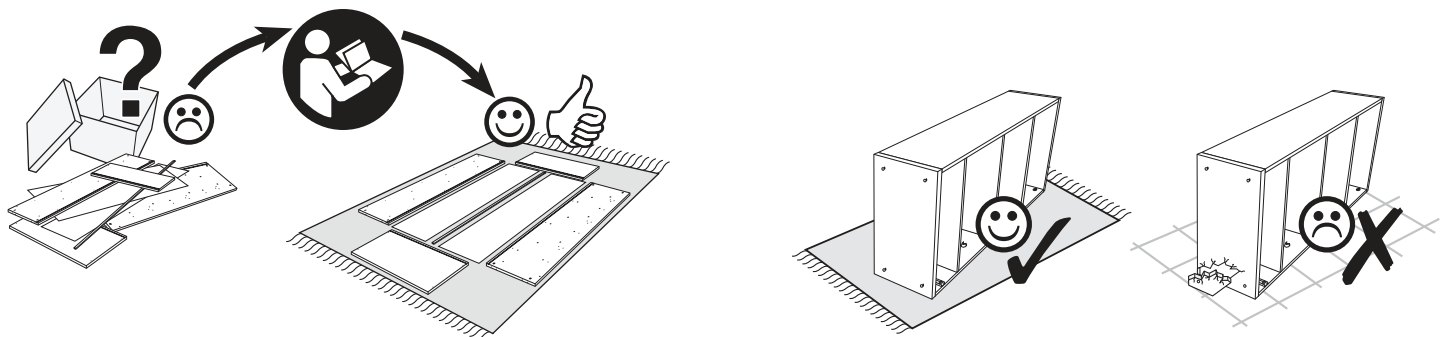
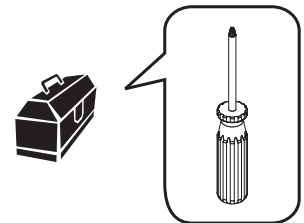
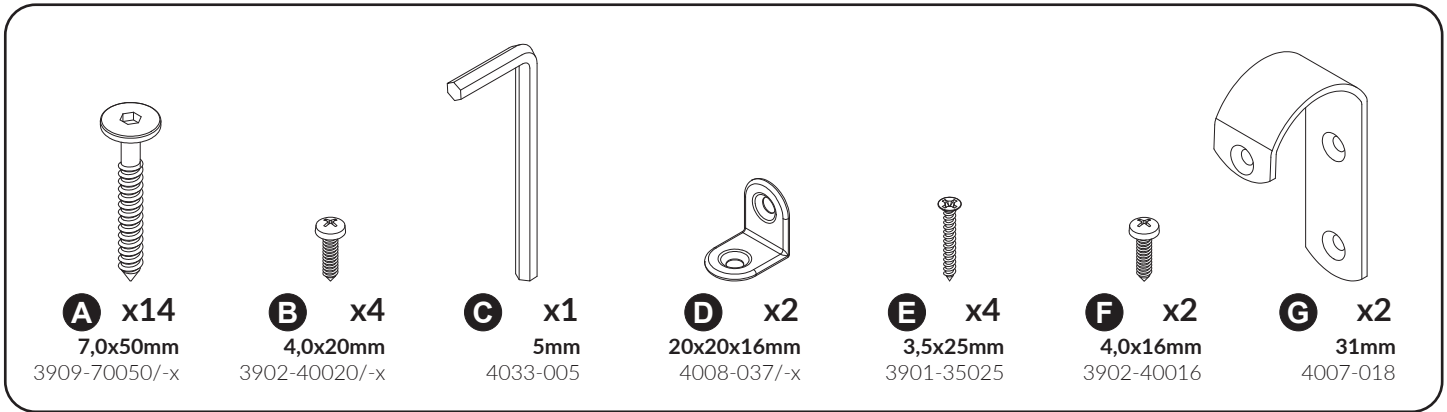
Or see the video at  
[www.flexaworld.com](http://www.flexaworld.com)

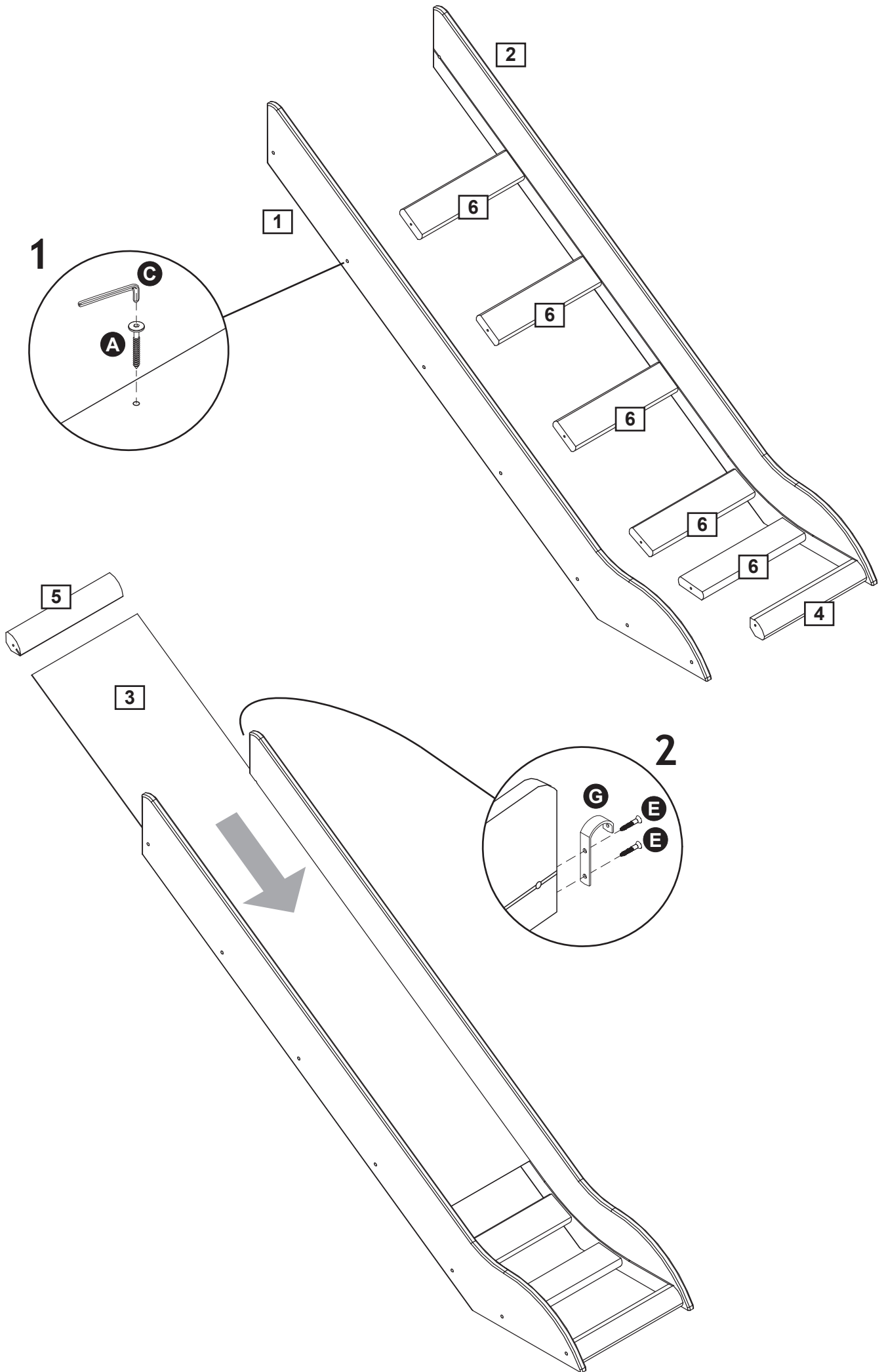
Monterings- og brugsvejledning  
Assembly instructions and direction for use  
Montageanleitung und Gebrauchsanweisung  
Notice de montage et mode d'emploi  
Montageinstructie en onderhouds voorschrift  
Instrucciones de montaje y uso  
Istruzioni di montaggio e uso  
Kokoamis- ja käyttöohjeet  
Οδηγίες συναρμολόγησης και χρήσης

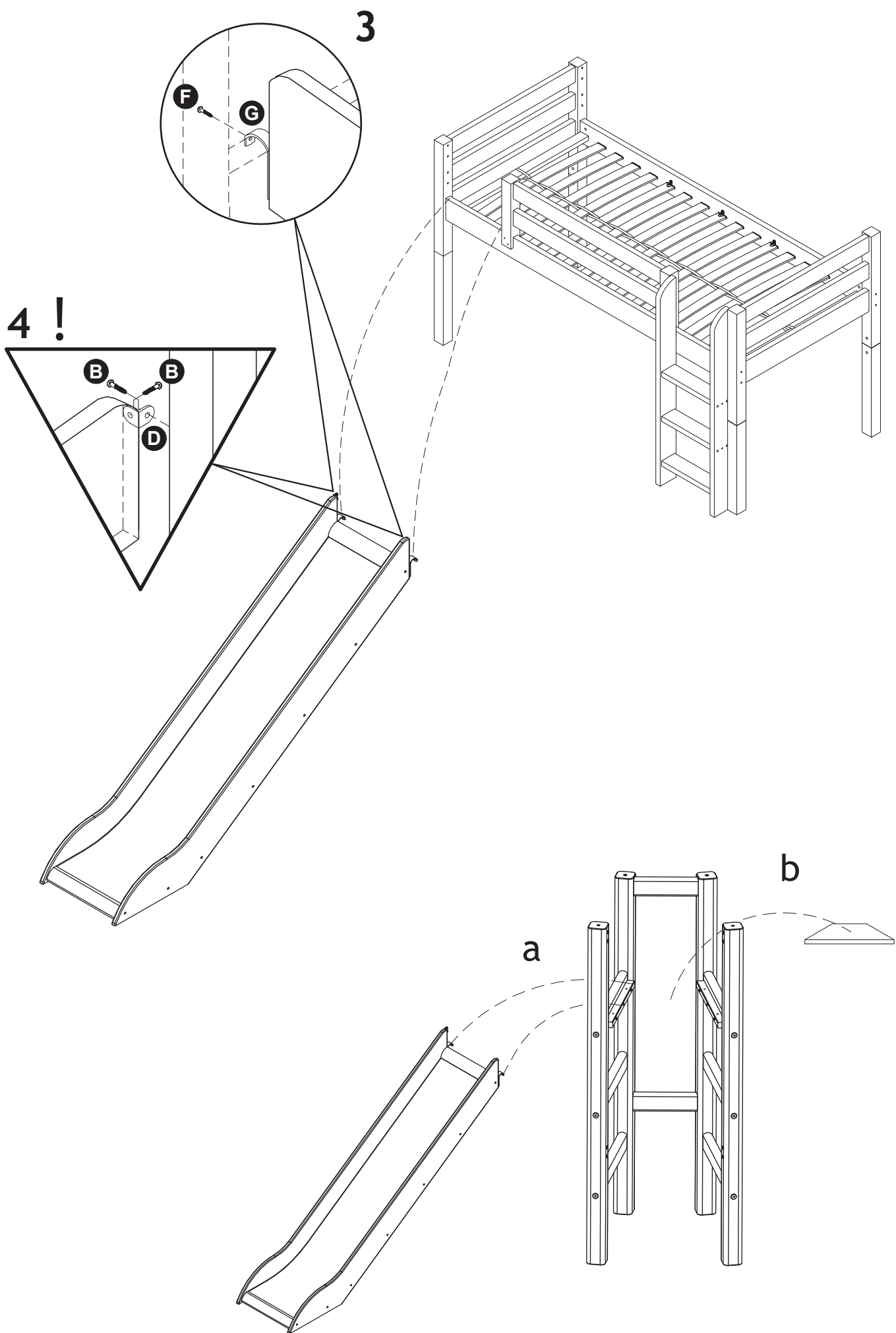
Instrukcje montażu i wskazówki dotyczące użytkowania  
Instruções de montagem e de utilização  
Instrucțiuni de asamblare și recomandări de utilizare.  
Инструкции по сборке и руководство использования  
安裝及使用说明  
組立および使用説明  
รายละเอียดเกี่ยวกับวิธีการใช้  
และการติดตั้ง  
설치 및 취급설명

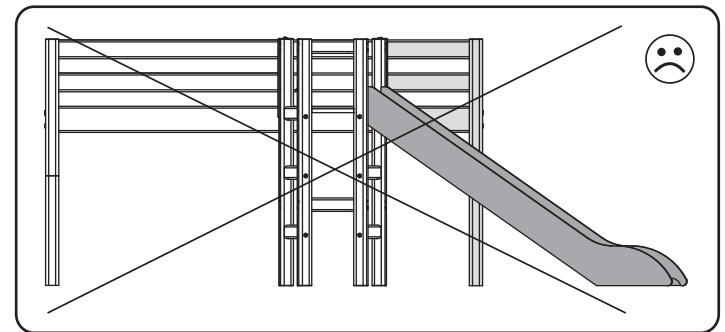
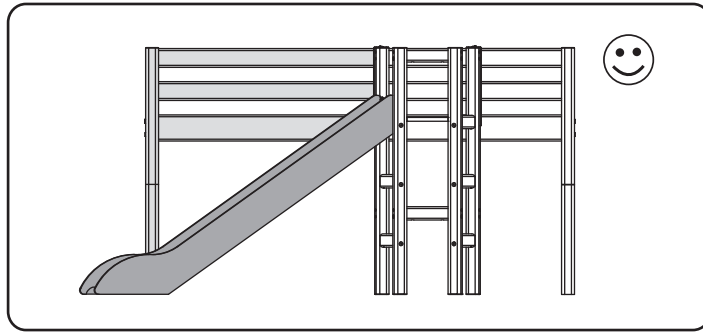
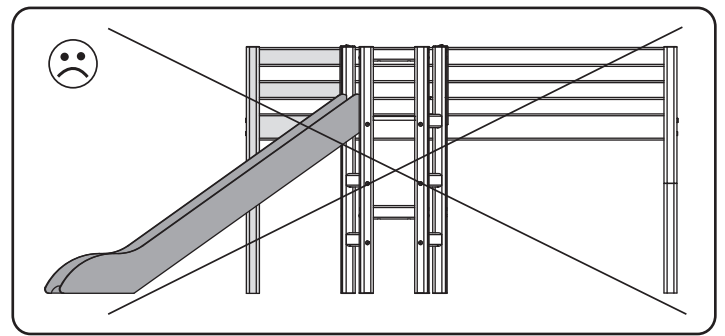
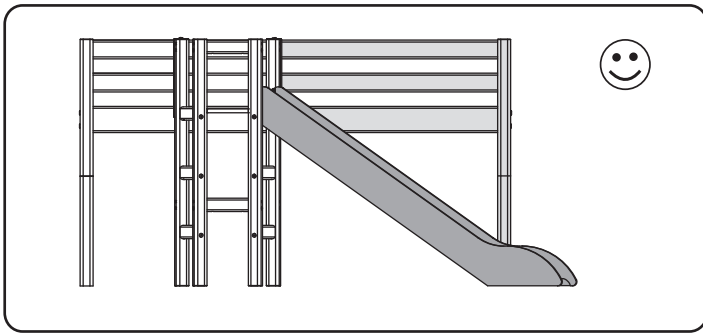
For indoor  
domestic use

Scandinavian Design made in Estonia









## DK

- Efter samling, instruer da børn i hvordan seng og rutschebane bruges sikkert.
  - Vær opmærksom på faren for, at unge børn (under 6) kan falde ned af rutschebanen**
  - For at undgå at hænge fast ved benyttelse af rutschebanen, sørg for at tøj er fri for løse genstande som snører, bånd etc.
  - Check jævnligt, og efterspænd beslag hvis nødvendigt.
  - Efterlad ikke genstande rundt om rutschebanen. Ved enden af rutschebanen skal der være mindst 1 meter fri plads.
  - Det anbefales, at børn under 3 år kun benytter rutschebanen under opsyn af voksne.
- RÅD OM VEDLIGEHOLDELSE: Tør af med en fugtig klud. Evt. større pletter fjernes med en fugtig svamp med sæbe. Undgå opløsningsmidler.

## GB

- After assembly, instruct children how to use the bed safely.
  - Be aware of the danger of young children (under 6) falling from the slide.**
  - To avoid snagging, ensure that clothing is free of loose items as laces, tapes etc.
  - Regularly check and, if necessary, tighten all fittings.
  - Be careful not to leave any obstacles around the slide. Around the end of the slide you should have a free space of 1 meter.
  - It is recommended that children under 3 years of age are under supervision be adults when using the slide.
- MAINTENANCE INSTRUCTIONS: Cleaning with a wet cloth, use a sponge with soap to remove obstinate dirt. Avoid solvents and dilutions.

## DE

- Bei Neuaufrstellung Kindern Hilfestellung bieten.
  - Achten Sie bei der Benutzung der Rutsche durch Kleinkinder (unter 6 Jahren) auf der Gefahr des Herunterfallens!**
  - Darauf achten, dass Kinder, Kleidung ohne Schnüre oder Bänder tragen.
  - Gerät regelmässig inspizieren: Schraubverbindungen g.g.f. nachziehen.
  - Achten Sie darauf, daß es um die Rutsche herum keine Hindernisse gibt. Am Ende der Rutsche sollte man einen Freiraum von 1 Meter haben.
  - Es wird empfohlen dass Kinder unter 3 Jahren die Rutsche unter Aufsicht von Erwachsenen.
- PFLEGEHINWEIS: Pflege mit einem feuchten Lappen. Für hartnäckigen Schmutz empfehlen wir einen Schwamm mit Seife. Vermeiden ermeiden Verdünnungsmittel.

## FR

- Après assemblage, expliquez à l'enfant comment utiliser le lit.
  - Soyez conscient du danger pour les jeunes enfants (moins de 6 ans), qui peuvent tomber du toboggan.**
  - Évitez que les vêtements de l'enfant ne comportent de lacet ou de ruban.
  - Verifiez régulièrement les fixations et si nécessaire reserrez.
  - Faites attention à ne pas laisser d'obstacles autour du toboggan. A la sortie inférieure du toboggan, il est conseillé d'avoir un espace libre d'au moins 1 mètre.
  - Il est recommandé de laisser les enfants de moins de 3 ans utiliser le toboggan sous surveillance d'un adulte.
- CONSEILS D'ENTRETIEN: Entretien avec un chiffon humide pour la poussière - les tâches rebelles s'enlèvent avec une éponge légèrement savonneuse. Éviter tous solvants et diluants.

## IT

- Dopo aver montato il letto spiegare al bambino come utilizzare il letto.
  - Dovete essere consapevoli del pericolo per i bambini piccoli (sotto i 6 anni) che possono cadere dallo scivolo.**
  - Evitate che i vestiti del bambino abbia lacci e nastri.
  - Verificare regolarmente il fissaggio del letto ed eventualmente stringete ulteriormente le vite.
  - State attenti a non lasciare ostacoli intorno allo scivolo. All'uscita inferiore dallo scivolo è consigliato avere almeno 1 metro di spazio libero.
  - Si consiglia, che bambini al di sotto dei tre anni siano sotto sorveglianza degli adulti quando utilizzano lo scivolo.
- CONSIGLI PER LA MANUTENZIONE: Pulire con un panno umido, usare una spugna impregnata di sapone per togliere lo sporco persistente. Evitare l'uso di prodotti chimici.

## ES

- Después de montar el producto, enseñe a los niños cómo utilizar la cama de una manera segura.
  - Sea consciente del peligro de los niños pequeños (menores de 6 años) que caen del plano inclinado.**
  - Para evitar enganches, asegurese que la ropa no tenga elementos sueltos como lazos, cintas, etc.
  - Revise regularmente los tornillos, y si es necesario, ajustelos.
  - Tenga cuidado de no dejar obstáculos alrededor del plano inclinado. Hacia all final del plano inclinado debe tener un espacio libre de 1 metro.
  - Se recomienda, que niños menores de 3 años solo usen el tobogán bajo supervisión de un adulto.
- CONSEJO PARA LA CONSERVACIÓN Limpiar con un paño húmedo. Para quitar manchas mas grandes usar productos quimicos.

## NL

- Na montage; instrueer kinderen hoe ze het bed veilig kunnen gebruiken.
  - Let op het gevaar bij jonge kinderen (onder de 6 jaar) die van de glijbaan kunnen vallen.**
  - Om vasthaken te voorkomen ervoor zorgen dat kleding vrij is van loshangende items zoals veters en bandjes.
  - Schroeven en moeren regelmatig controleren en eventueel aandraaien.
  - Waarschuwing; zet geen voorwerpen in de buurt van de glijbaan. Rondom het einde van de glijbaan moet een vrije ruimte van een meter zijn.
  - Het is aan te bevelen dat kinderen onder de 3 jaar de glijbaan gebruiken onder toezicht van een volwassene.
- ONDERHOUD: Reinigen met een vochtige doek. Hardnekkig vuil verwijderen met een spons en zeep. Vermijd oplossen verdunningsmiddelen.



## Product Declaration

**Product:** Children's furniture

**Product No:** Please refer to the label or the Assembly and User Instruction. The product code refers to the type, length and color of the product. As an example : "80-" · Bed ranges, "81-" · Board furniture ranges, "82-" · Accessories, "83-" · Accessories fabric / foam etc. Surface listings: "-1" · natural, "-2" · White, "-11" · Gray etc.

### Technical

**character and size:** Please refer to the Assembly and User Instruction.

**Main material:** European Pinewood, Oak, Ash or MDF

**Lacquer:** Water soluble UV lacquer complying with the EN standard

**Glue:** Glue complying with the EN standard

**Metal parts:** Coating complying with the EN71 standard, part 3

**Production date:** Please refer to the label on the outer package.

Furniture products from FLEXA® are tested according to relevant European and American safety standards, e. g. EN, CE, GS, and CFR. Furthermore, FLEXA's products are tested by the China National Quality Supervision Center for Furniture and complying with the GB28007-2011 children furniture standard in China and other relevant standards. Also, we comply with the EN717 concern the formaldehyde release.

### Assembly

**and spare parts:** Please refer to the Assembly and User Instruction.

**Maintenance:** Please refer to the Assembly and User Instruction.



**Quality materials** FLEXA insists on the highest quality and sustainability as a standard when we make furniture. For example, we only use the highest quality wood from sustainable forests in Scandinavian. We are thereby ensuring that only the very best material is used for our furniture.



**5-year guarantee** FLEXA's aim is always to deliver the highest quality and safety. That is why we provide a 5-year guarantee against manufacturing defects on all our furniture. The guarantee does not cover damage to the lacquer surface caused by knocks or wear and tear.



**Lacquer** FLEXA furniture is surface treated with lacquer several times to give our furniture an optimal and elegant finish. At the same time it makes our furniture robust and more resistant to signs of wear and tear. FLEXA is only using eco-friendly water-based lacquer and UV lacquer, which meets the EU standard for lacquer.



**Colour differences** Many FLEXA furniture is made of solid wood or part of it is in solid wood and natural differences in colour may appear between individual products. This is only natural since wood is a living product. All FLEXA textiles are made of natural products. Natural differences in colour may occur.



**Non-toxic furniture** FLEXA cherishes the health of your child, given that all FLEXA furniture is tested according to the strict international safety standards EN71-3, DIN717-3, DIN 53160, GB28007-2011 children furniture standard in China and other relevant standards. Your guarantee of non-toxic furniture.

Children's furniture from the Danish company, FLEXA, is designed by FLEXA according to Scandinavian design traditions. The wood furniture are manufactured by FLEXA in Europe and sold worldwide.

FLEXA® and the FLEXA® logo are trademarks of Flexa4Dreams Holding A/S.

**For six years old or above.  
Only for adult to assemble.**

**Manufacturer:** FLEXA4Dreams Holding A/S, Denmark

**Address:** Fredensgade 36, 8000 Aarhus C, Denmark

**Tel:** +45 7668 8055      **Fax:** +45 7668 8069

**Email:** flexa@flexa.dk

**Website:** www.flexaworld.dk

## 告 顾 客 书

**产 品:** 儿童家具。

**产 品 编 号:** 产品编号：参见标签或包装内的安装及使用说明。产品编号代表产品的类型、长度和颜色。

例如：货号“80-”开头为床组合；“81-”泛指家具类；“82-”为配饰类。外观颜色包括：“-1”为原木色，“-2”为白色，“-11”为褐色等。

**技术特征和尺寸:** 见安装及使用说明。

**主 材 料:** 北欧松木、橡木、橡木贴面。

**油 漆:** 水溶性UV漆，符合EN标准。

**胶 水:** 胶水符合欧洲质量标准。

**金 属 配 件:** 符合欧洲家具安全标准EN71，第三部分。

芙莱莎集团出品的家具依照相关欧洲及美国的安全标准测试。例如：EN、CE、GS、CFR。芙莱莎产品经中国国家家具质量监督中心的检测，符合中国儿童家具国家强制标准GB28007-2011以及中国其他相关的儿童家具标准。同时产品符合欧洲标准EN717中针对甲醛释放的要求。

**安 装 及 配 送:** 见安装及使用说明。

**日 常 维 护 保 养:** 见安装及使用说明。



**高品质的木材** 芙莱莎始终如一地坚持高品质，例如，芙莱莎选用北欧斯堪地纳维亚森林中优质的松木制作儿童家具。



**五年质保** 芙莱莎的目标是提供始终如一的高品质和安全性，因此芙莱莎推出5年质保服务，但仅针对家具生产制造过程中造成的缺陷，不针对漆面的损伤。



**掉 漆** 芙莱莎儿童家具的表面都用水溶性UV漆经过多次涂刷可以让家具更加耐磨耐损。芙莱莎所使用的水溶性UV漆达到EU标准。



**自然色差异** 材料因实木材质会具有活性或其他天然因素而产生天然色差。



**芙莱莎家具** 为了您的孩子身心健康考虑。FLEXA家具产品符合严格国际安全标准，包括严苛的EN71-3重金属欧盟标准；欧盟717-3甲醛检测标准；DIN53160耐汗唾液色牢度测试。

芙莱莎儿童家具是一家丹麦公司，依照北欧风格所设计。芙莱莎实木家具均由欧洲生产，然后发往全球销售。

芙莱莎® 和FLEXA® 是Flexa4Dreams Holding A/S (芙莱莎)集团的注册商标。

**适用于七岁及以上年龄  
注意！只允许成人安装，儿童勿近**

芙莱莎儿童家具秉承不断改进的原则。

2021年05月01日自印刷日起生效，旧版本自动作废。

**中国地区以中文为准。**

**公 司:** FLEXA4Dreams Holding A/S, Denmark  
**地 址:** Fredensgade 36, 8000 Aarhus C, Denmark  
**电 话:** +45 7668 8055 **传真:** +45 7668 8069  
**邮 箱:** Flexa.china@flexa.com.cn  
**网 址:** www.flexaworld.dk