

SLIDE FOR PLAY TOWER

— Created by FLEXA —



88-10705-120

ASSEMBLY MANUAL

Care and maintenance instructions

WARNING!

User: 2+ years of age

Maximum user weight: 50 kg

Only for one user at a time.

For domestic use only.

For indoor use only.

Only for adults to assemble. Unassembled, the product contains potentially hazardous points and small parts. Please keep unassembled products out of baby's reach.

Flexa recommends to place the activity toy on a level surface at least 2 m from any structure or obstruction such as a fence, garage, house, overhanging branches, laundry lines or electrical wires. This activity toy shall not be installed over concrete, asphalt or any other hard surface;

Flexa recommends on-site adult supervision for children of all ages.

It is important to check your Flexa activity toy for wear and damage regularly.

Screws and bolts should from time to time be retightened. Check for splits, cracked or broken wood and for loose, missing or sharp-edged hardware.

Replace, tighten and/or sand smooth as required prior to playing. Failure to do so may result in injury or hazard.

Cleaning with a wet cloth, use a sponge with soap to remove obstinate dirt.

Avoid solvents and dilutions.

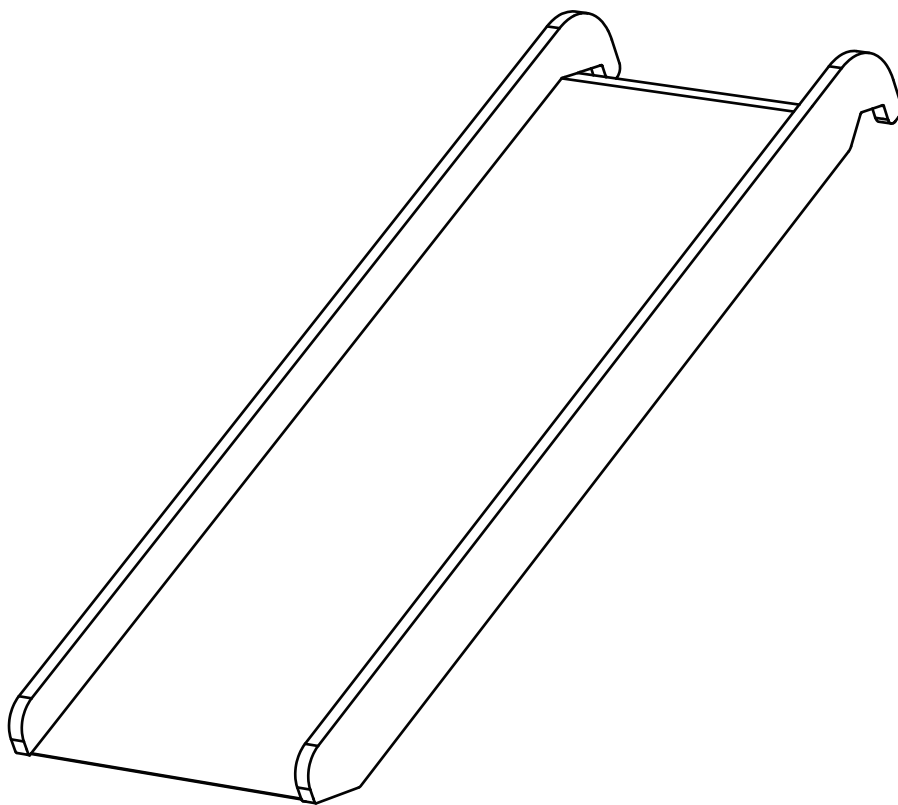
Any modifications carried out by the consumer voids any FLEXA warranty and liability.

Please keep these instructions to hand for future reference.

FLEXA®

THE SLIDE

88-10705-120



WARNING

This toy requires adult assembly. Unassembled, it contains potentially hazardous points and small parts. Please keep it out of baby's reach.

WARNUNG

Dieses Spielzeug muss von einem Erwachsenen zusammengebaut werden. Wenn es nicht zusammengebaut ist, enthält es potenzielle Gefahrstellen und Kleinteile. Bitte halten Sie es außerhalb der Reichweite von Babys.

MISE EN GARDE

Ce jouet doit être assemblé par un adulte. Lorsqu'il n'est pas assemblé, il contient des pièces pointues et des éléments de petite taille pouvant s'avérer dangereux. Veuillez le tenir hors de la portée d'un bébé.

WAARSCHUWING

Een volwassene moet dit speelgoed in elkaar zetten. Gedemonteerd heeft het punten en zijn er kleine onderdelen, die gevaar kunnen opleveren. Zorg dat baby's het niet kunnen pakken.

ADVARSEL

Dette legetøj skal samles af en voksen. Usamlet indeholder legetøjet potentielt skadelige dele og smådele. Opbevares utilgængeligt for børn under 2 år.

ADVERTENCIA

Este juguete requiere el montaje por parte de un adulto. Sin montar, contiene pequeñas piezas y puntos potencialmente peligrosos. Se debe mantener fuera del alcance del bebé.

ATTENZIONE

Questo giocattolo deve essere montato da un adulto. Quando è smontato, contiene componenti appuntiti e di piccole dimensioni potenzialmente pericolosi. Tenere lontano dalla portata dei bambini.

WARNING

这个玩具需要由成人组装。

未组装时含有潜在的危险点和小零部件。

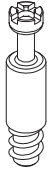
请置于宝宝触拿不到的地方。



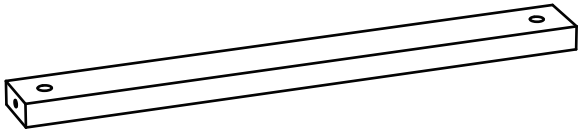
EN71
GB 6675-2014
ASTM F963-17



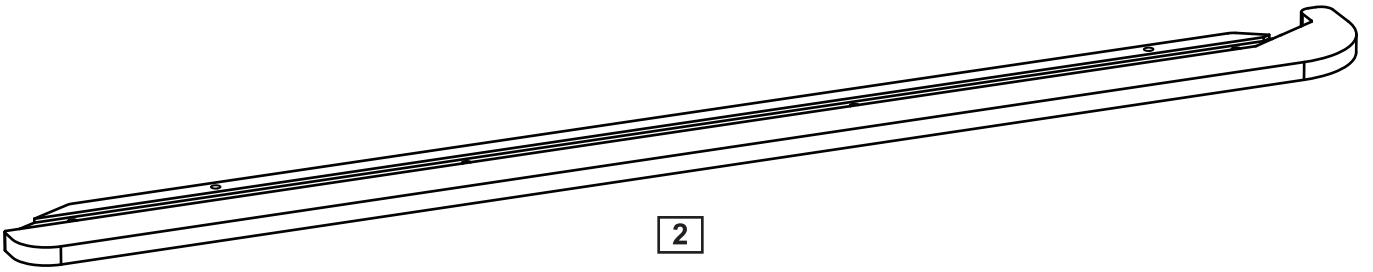
A x12



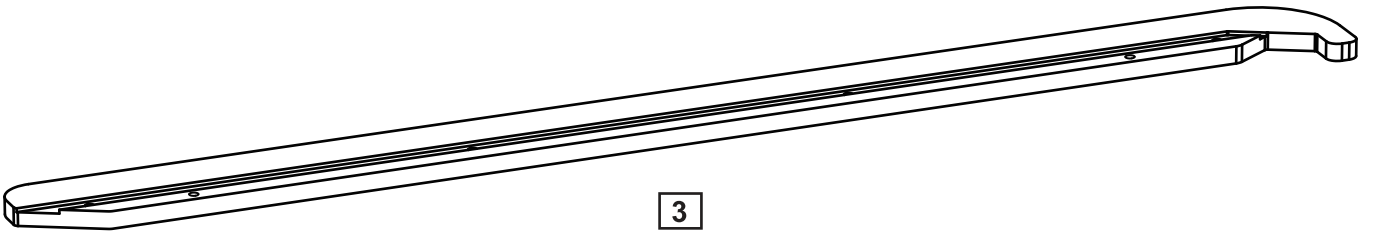
B x12



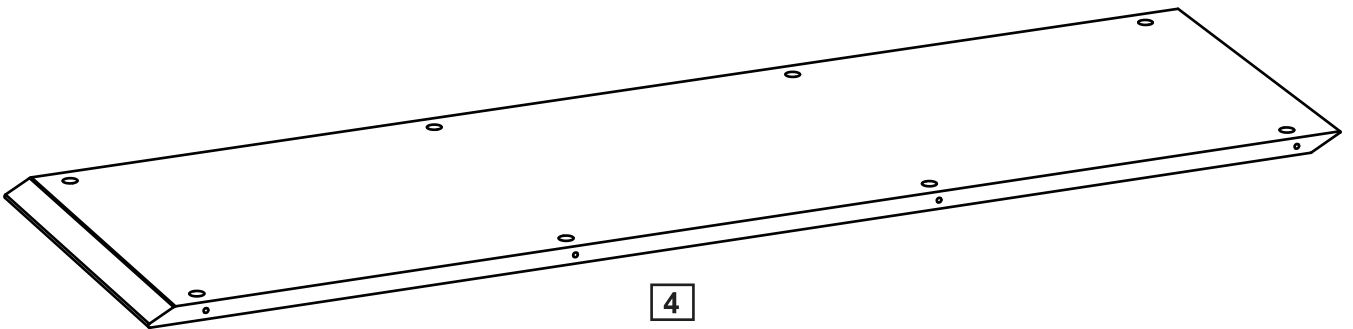
1 x2



2

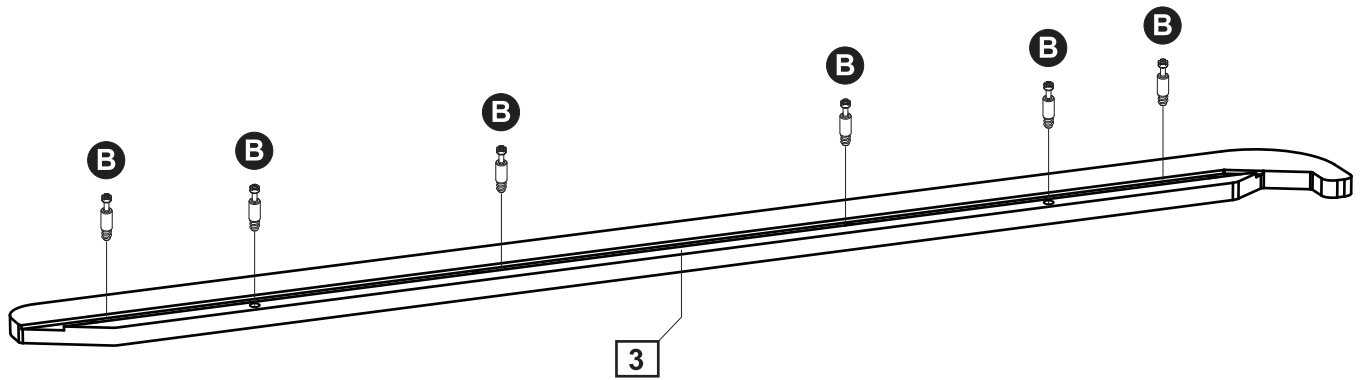


3

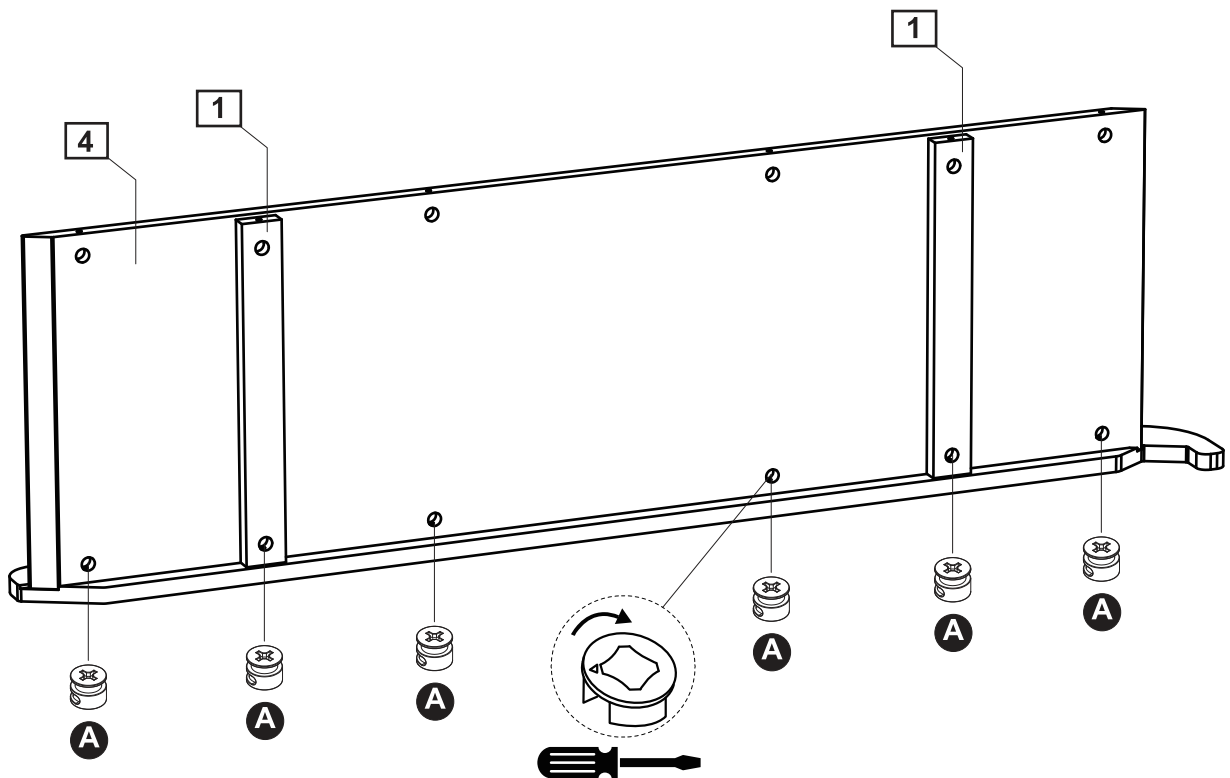


4

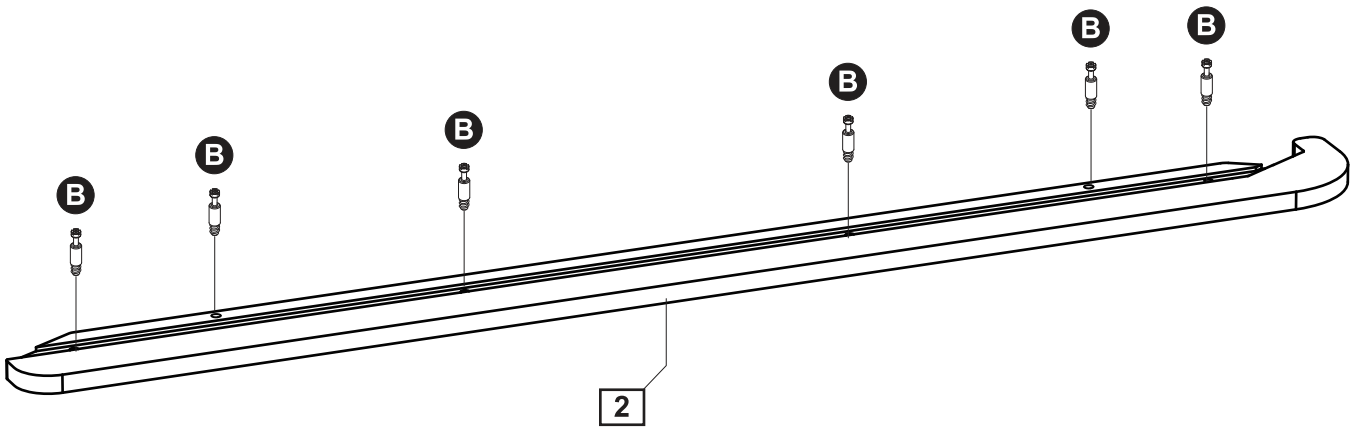
 **B** x6



 **A** x6



 **B** x6



 **A** x6

